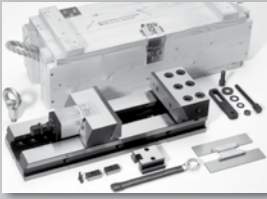
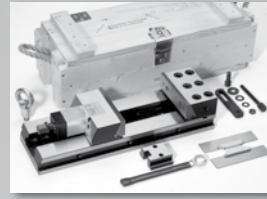


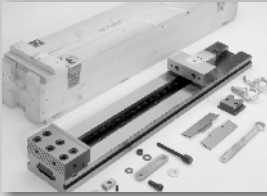
# Modular clamping equipment "TC" range and accessories



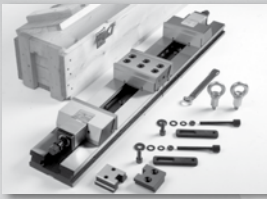
**Tct**  
pag. 2. 8



**TCg**  
pag. 2. 9



**Tct-XL**  
pag. 2. 10



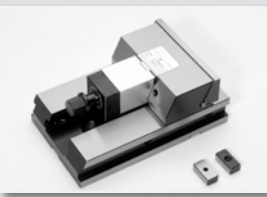
**DCS-Tct**  
pag. 2. 11



**Extension element Tct**  
pag. 2. 14



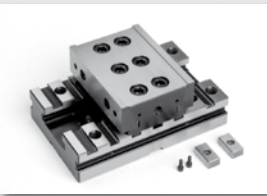
**Double support with jaws TC**  
pag. 2. 15



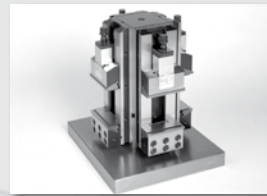
**Complete extension element Tct**  
pag. 2. 15



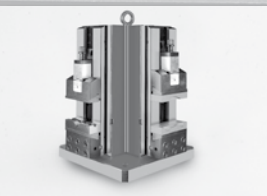
**Base with fixed support Tct**  
pag. 2. 16



**Base with double support whit jaws**  
pag. 2. 16



**MVS-Tct**  
pag. 2. 18



**VCS-Tct**  
pag. 2. 20



**DVCS-Tct**  
pag. 2. 21



**Accessories TC**  
pag. 2. 23



**Spare parts TC**  
pag. 2. 27

# TC is...

---

## Modular

We use the true definition of the term modular; product which is composed of separate or separable elements. With these separate or separable elements we can achieve many different clamping solutions. The only different component of these clamping solutions is the base. The base length determines the clamping capacity while all other components remain the same. Fixed and movable vise jaws can be used with any base configuration, offering the most flexible workholding solutions available. This modular system allows the user to realize the maximum number of workholding combinations with the minimum investment in equipment.

---

## Precision

All sliding and joining surfaces are precision ground. Each item is thoroughly inspected and tested both before and after assembly. This rigid quality control allows us to offer the high tolerance levels shown on page 47. Alignment of the clamping equipment is ensured by using high tolerance ground keys. Other key dimensions are available upon request. The clamping jaws pull the workpiece down 0.2 mm. (0.008") against the ground base for unmatched accuracy.

---

## Durability

All components are constructed from oversize steel profiles ensuring the equipment is exceptionally sturdy and can provide the user with optimal performance. Wear parts are special treated to achieve a surface hardness of 50/60 HRC. All non-ground surfaces are burnished to protect against corrosion.

---

## Quick-change

A patented system allows quick repositioning of the clamping jaws. The clamping jaw is lifted slightly from the base and shuttled to the next clamping position then lowered into place. Part changeovers and size changes can be made quickly and easily.

---

## Reliable

The six bolts mounting the fixed jaw to the base provide the most rigid platform possible to support the clamped workpiece.

---

## Versatility

The fixed jaw has serrations on the rare face so that by reversing it, unmachined workpieces can be clamped. The movable jaw can be rigid or floating (for clamping on uneven surfaces). The interchangeability of the rigid slide-way with the floating slide-way (both included as standard equipment) allows the user to clamp finished or raw workpieces. The standard CLAK system allows the quick-change of parallels, angular parallels, soft jaws and "V" jaws in order to machine any workpiece.

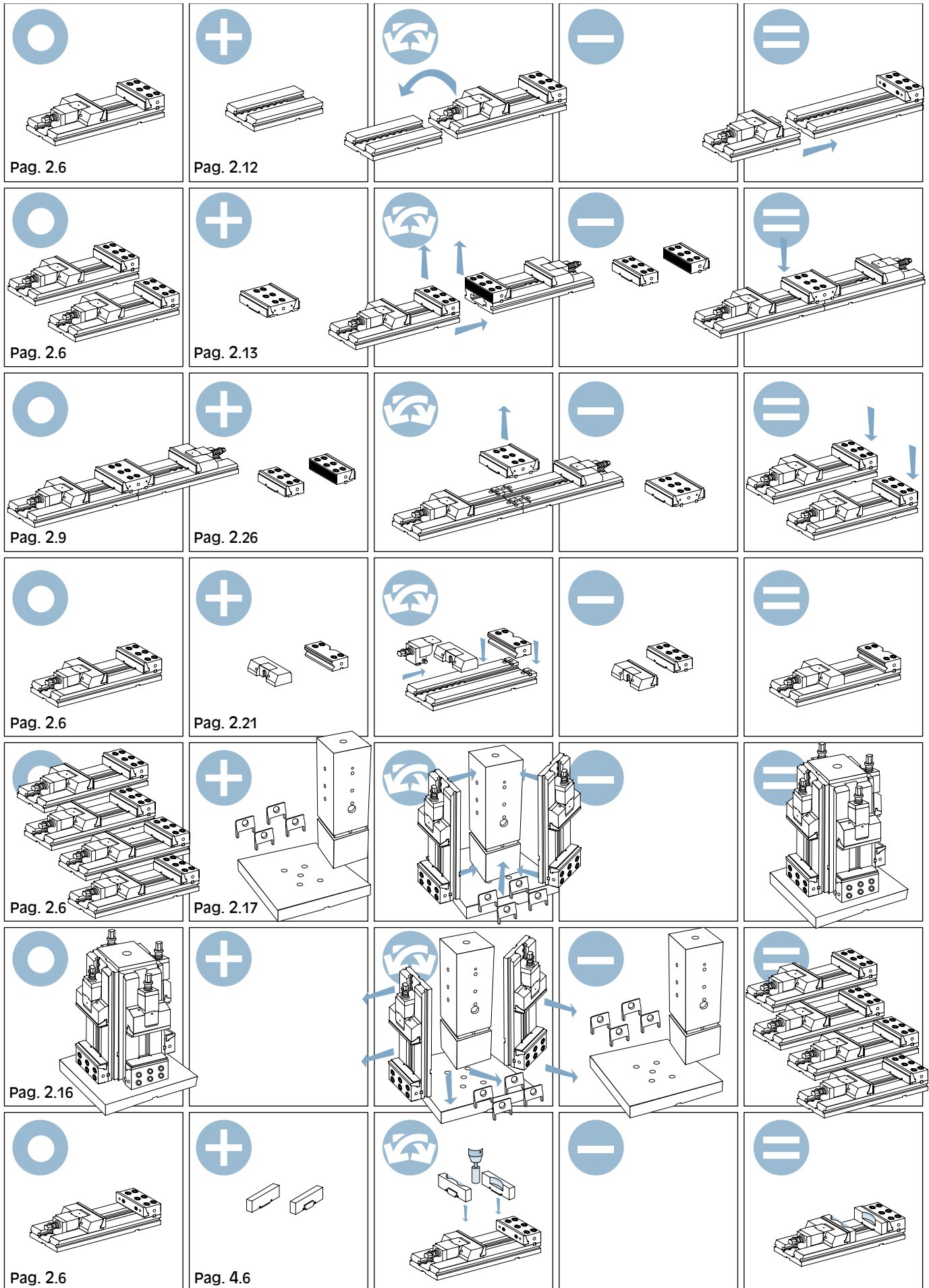
---

## Manageable

The weight of 27 kg (59 lb.) for the 150 mm. x 200 mm. (6"x 8") vise and simple clamping system allow for easy movement from one machine tool to another.

---

# The advantages of modularity



○ Start

+ Add

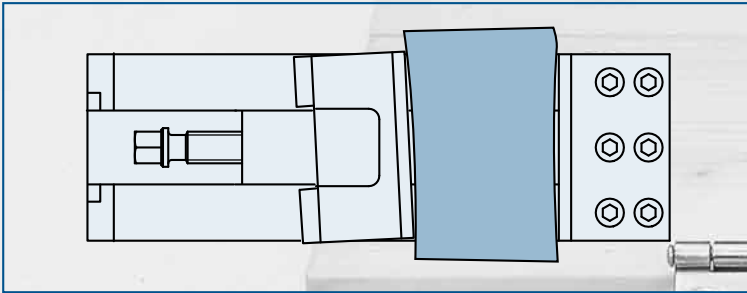
↻ Combine

- Remove

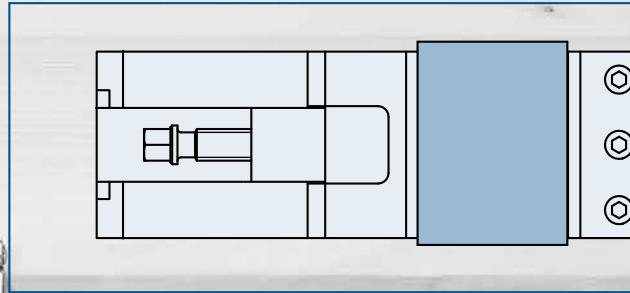
= Result



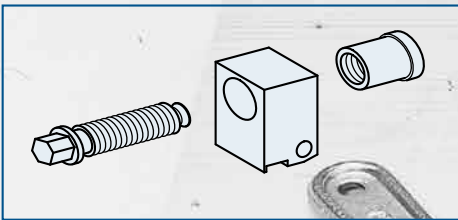
**Floating slide - way raw workpieces**



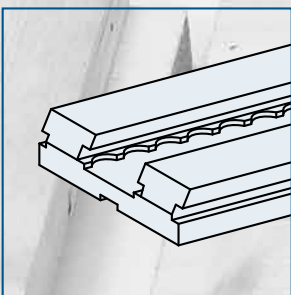
**Rigid skide-way for finished workpiece**



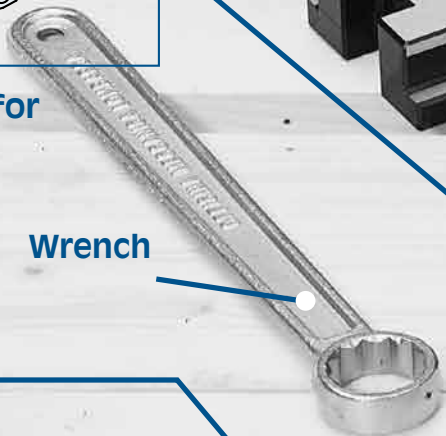
**Block for clamping screw with threaded anti-friction bronze bushing**



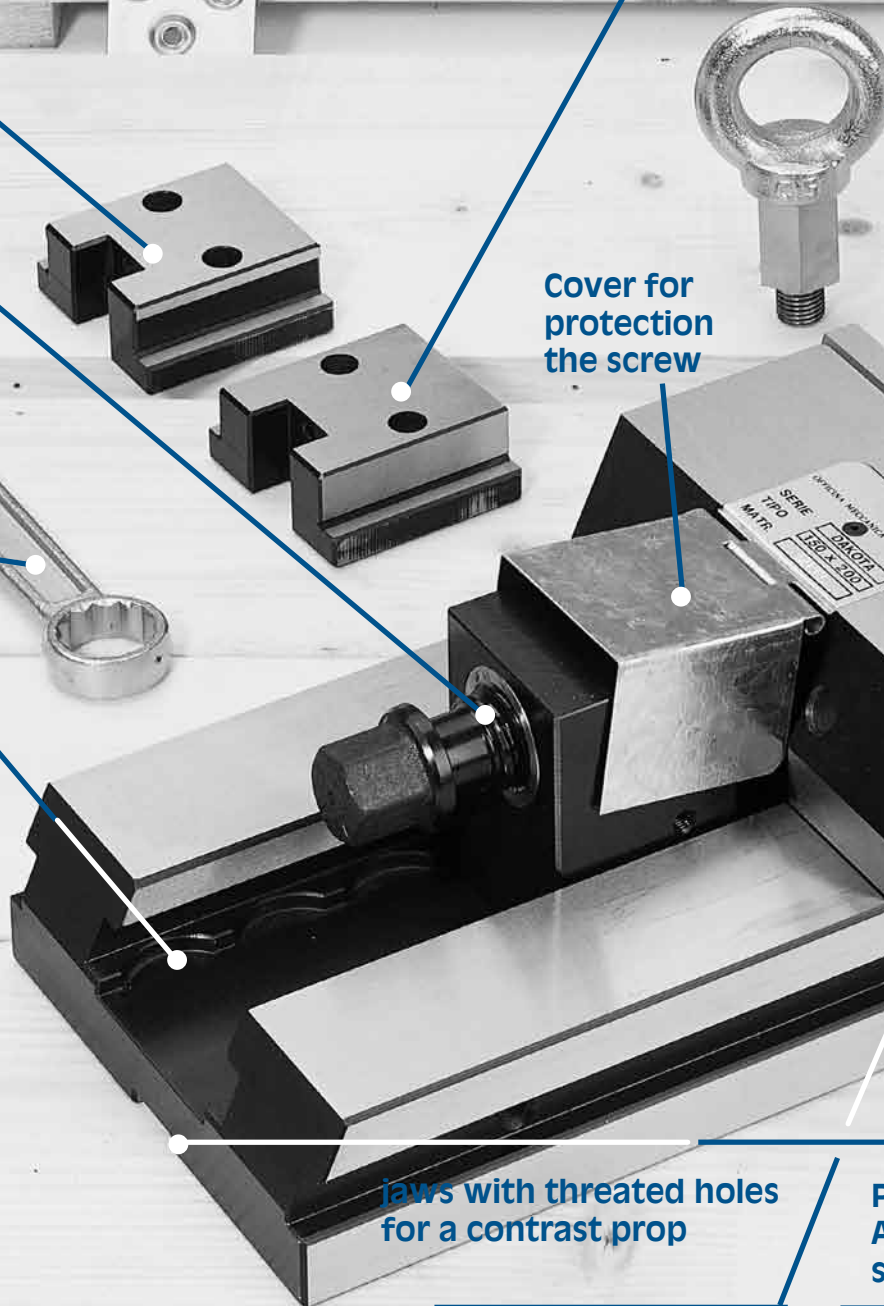
**Patented system for quick positioning**



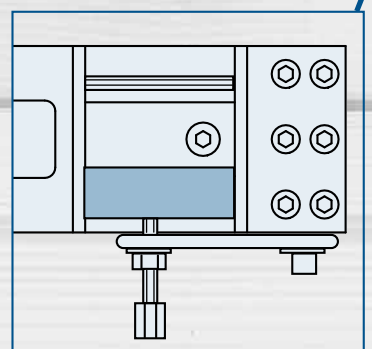
**Wrench**



**Cover for protection the screw**

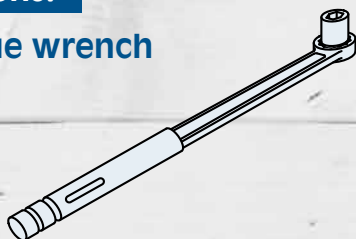


**jaws with threaded holes for a contrast prop**



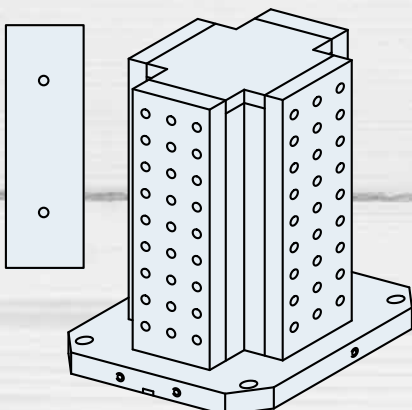
**Options:**

**Torque wrench**

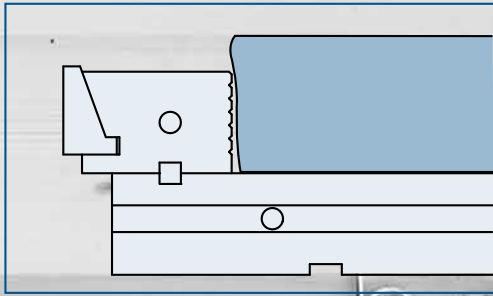


**Grinding holes for the clamping on a grid system TCG**

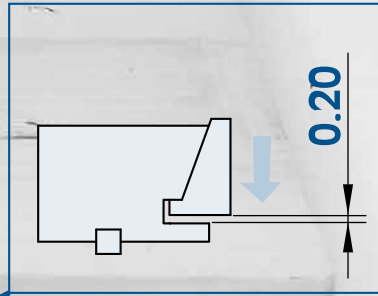
**Base**



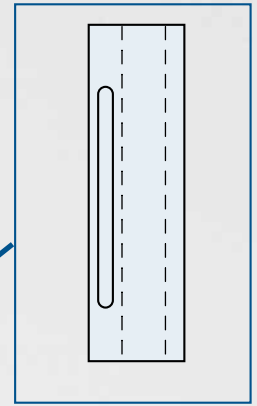
Fixed support turned of 180° (grooved part)



Pull down jaws

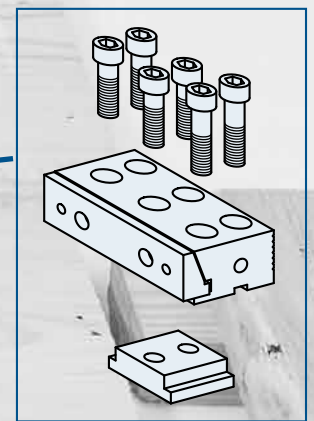


CLAK fitting

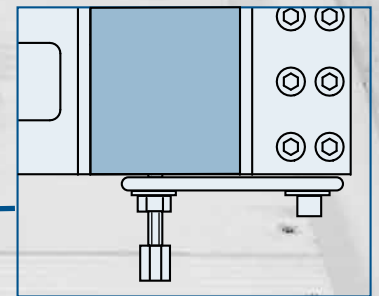


Eye bolt for lifting)

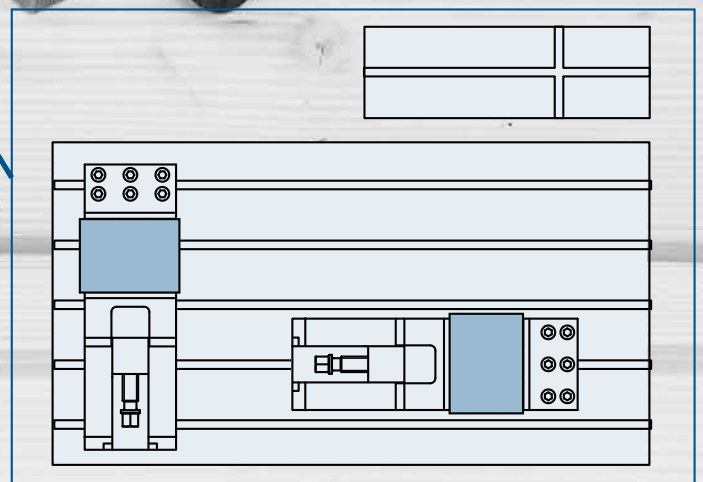
6 bolts for the fixed support



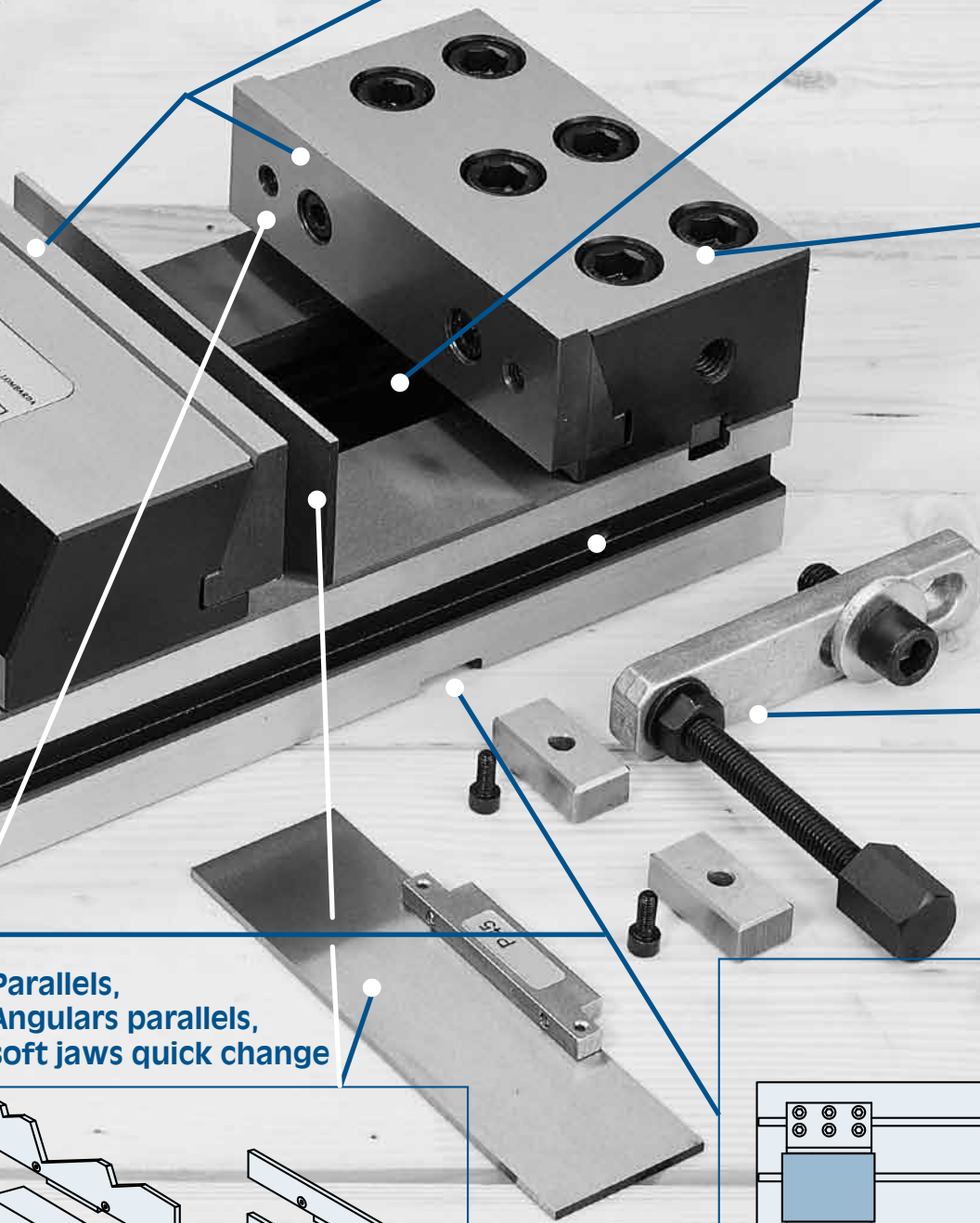
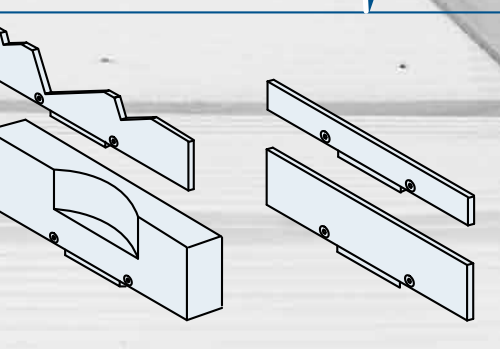
Work stop



Cross key for T-slots M.T.



Parallels, Angulars parallels, Soft jaws quick change



# TC & SinterGrip

## SinterGrip: the New Choice

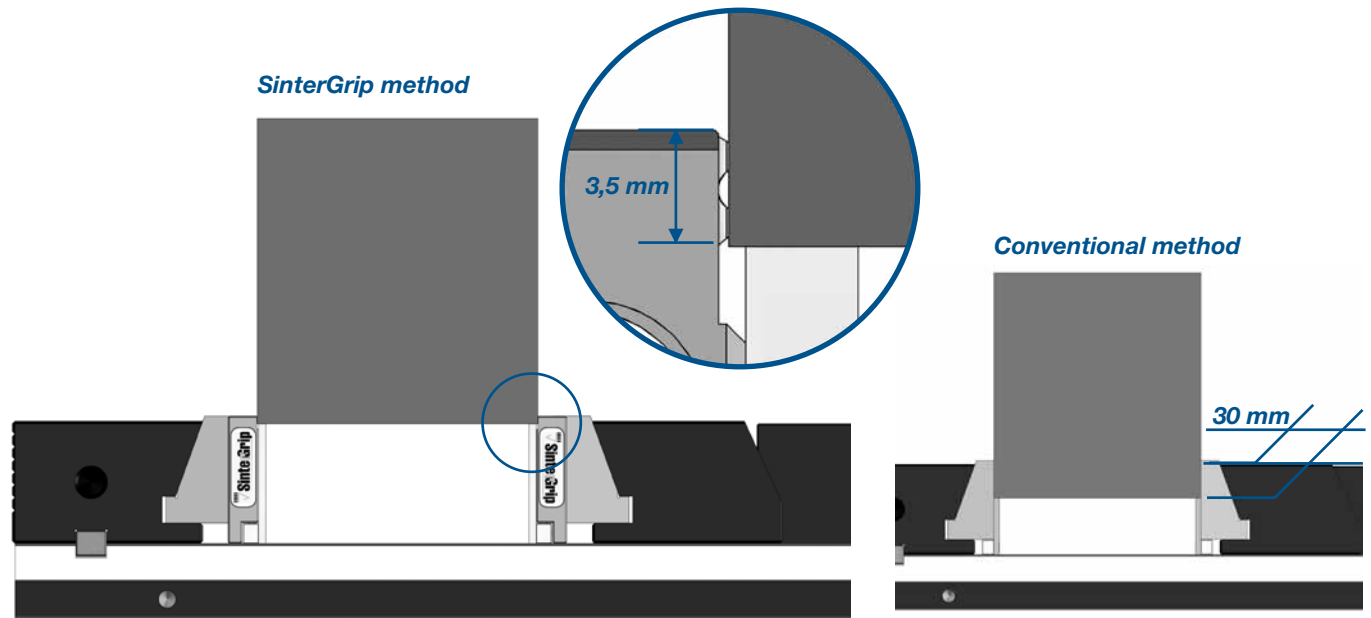
Our new patented product **SinterGrip** is born to satisfy the current need to clamp a workpiece for very few millimeters (with SinterGrip 3,5 mm clamping surface), and this for the following reasons:

- 1) In order to machine the workpiece completely in a single operation (especially for 5 axis machines);
- 2) In order to save money for the raw materials, especially when they have a big impact on the price (aluminum, titanium, etc.)

Indirectly to these reasons, and in order to improve the performance of the machine tool and the tools

**higher cutting speed + higher feed rate =  
bigger volume of metal removed =  
less time to machine the workpiece**

the market requires safe clamping, which could at the same time possibly avoid the deformations of the piece itself.



**Only 3,5 mm clamping surface**, no need of pre-machining the workpiece, clamping stability, higher cutting rate: SinterGrip brings only advantages compared to the traditional systems.

On the contrary, traditional systems need, for the clamping of the workpiece, a bigger clamping surface, with the result of waste of raw materials and greater possibility of deformation of the workpiece.

**Working example:** jaws mounted on a TC Vise



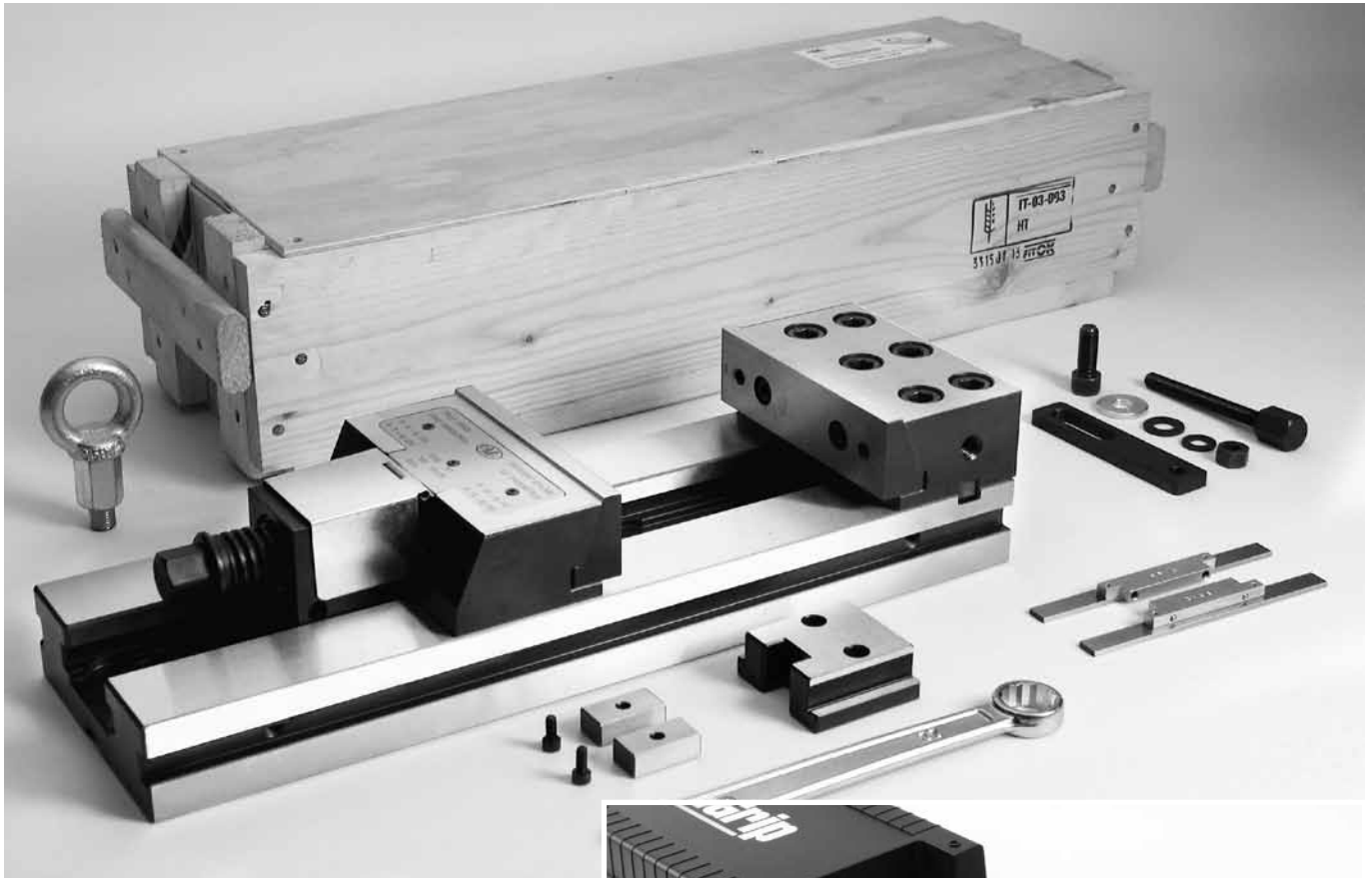
**Working example:** with inserts SinterGrip mounted.





The company policy from OML has always been to seek the best solution for the customer, developing and updating all our products with the latest technologies available.

In this sense, the modular vises of the TC series will now be supplied with: **pair of jaws without tungsten carbide coating, 1 pair of parallels, 1 T9 TORX wrench and 1 kit of 10 screws**, which allow to assemble the latest products **SinterGrip** also on this series.



**Working example:**

jaws mounted on a TC vise.

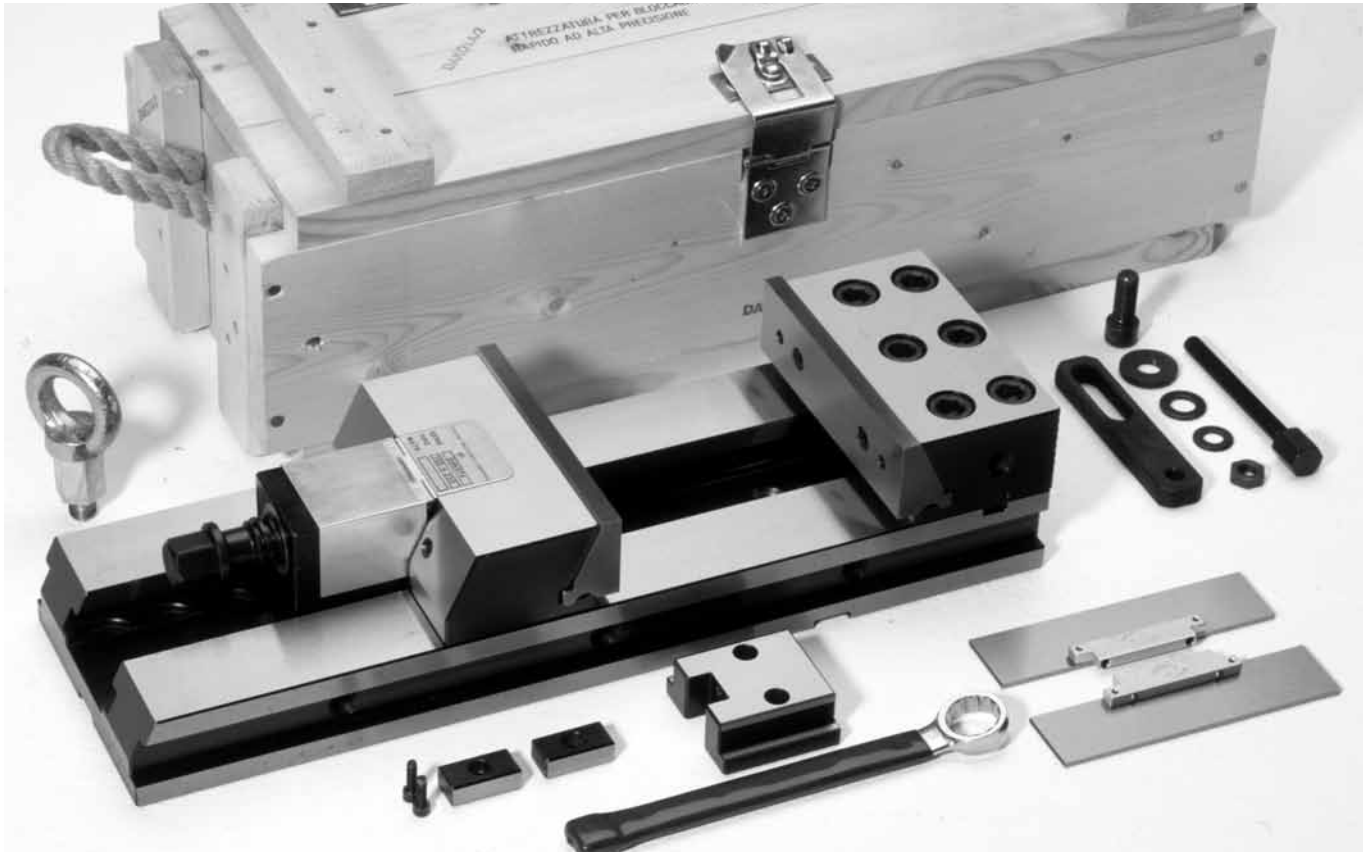
**SinterGrip inserts are not included:**

ask to your local dealer.

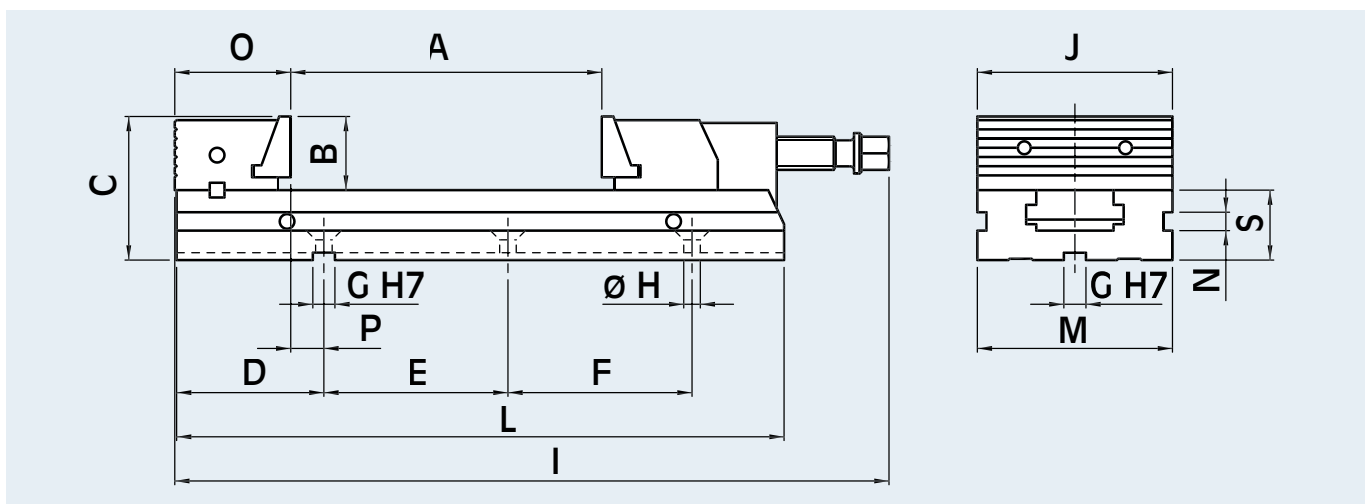


**Working example:** mounting of the jaws.





Clamping equipment Tct complete with wrench, work stop, rigid slide way, floating slide-way (for raw work-piece), pair of positioning keys, pair of CLAK parallels, cover for the protection of the screw, eye bolt for lifting, wooden packing case.

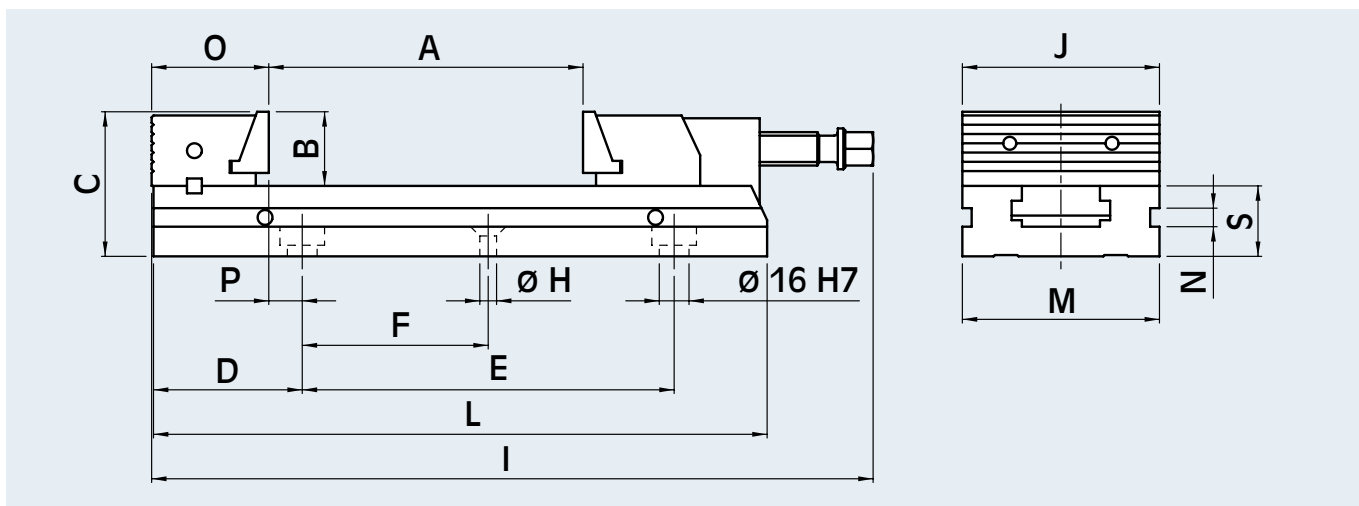


Cod.	type	A	B	C	D	E	F	G	H	I	J	L	M	N	O	P	S	Weight
		mm	mm	mm	mm	mm	mm	mm	mm	mm	mm	mm	mm	mm	mm	mm	mm	kg
77 58 01 01	Tct 110 x 100	100	40	78	80	150	-	12	9	338	110	280	110	10	63	18	38	11,5
77 58 01 02	Tct 110 x 150	150	40	78	80	100	100	12	9	388	110	330	110	10	63	18	38	12,5
77 58 02 01	Tct 150 x 200	200	50	98	114	200	-	18	12,5	481	150	413	150	13	85	30	48	27
77 58 02 02	Tct 150 x 250	250	50	98	114	100	150	18	12,5	531	150	463	150	13	85	30	48	29
77 58 02 03	Tct 150 x 300	300	50	98	114	100	100	18	12,5	588	150	520	150	13	85	30	48	31,5
77 58 03 02	Tct 200 x 300	300	70	138	149	200	200	18	12,5	697	200	610	200	15,5	123	27	68	78
77 58 03 03	Tct 200 x 400	400	70	138	149	150	150	18	12,5	797	200	710	200	15,5	123	27	68	86





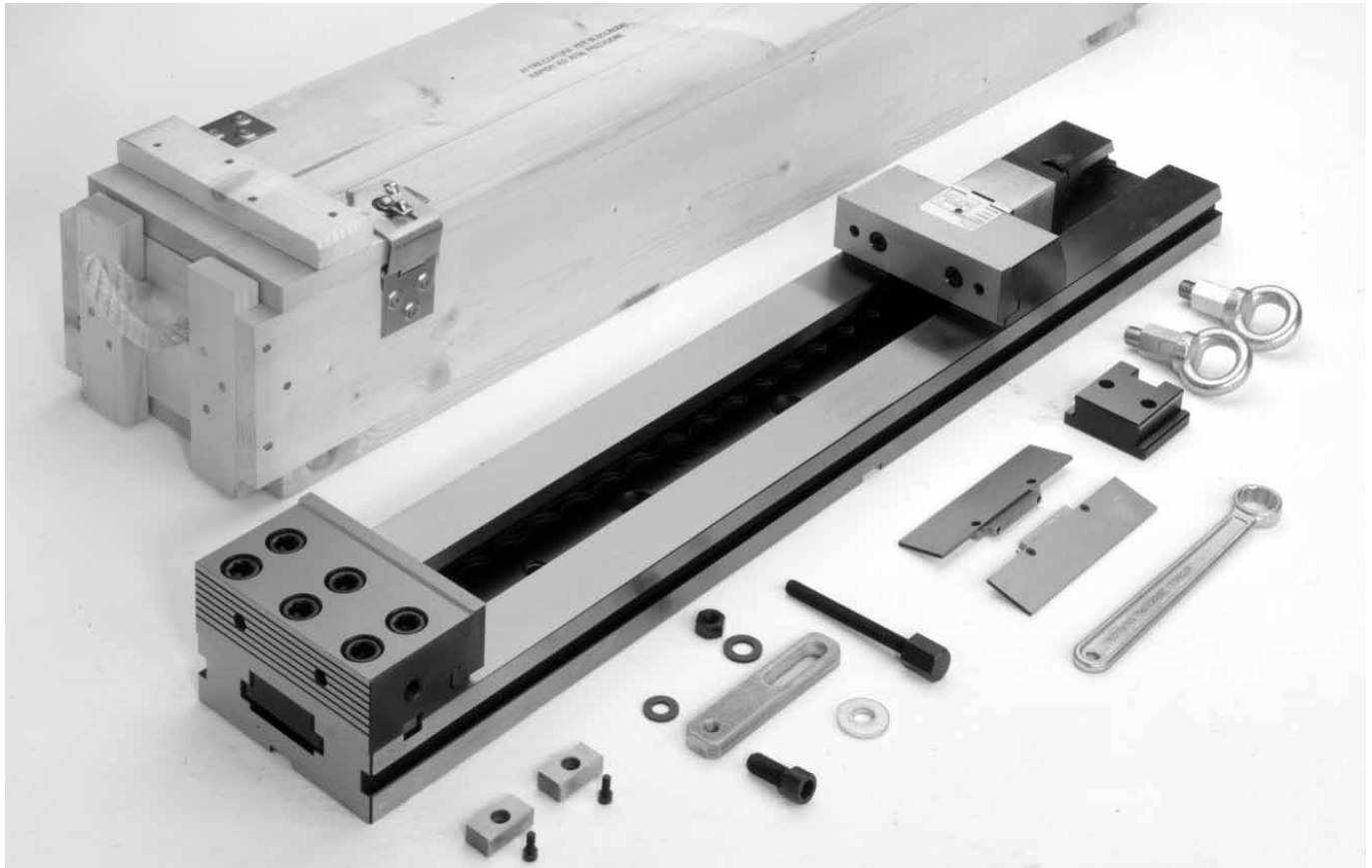
Clamping equipment TCg complete with wrench, work stop, rigid slide way, floating slide-way (for raw workpiece), pair of CLAK parallels, cover for the protection of the screw, eye bolt for lifting, wooden packing case.



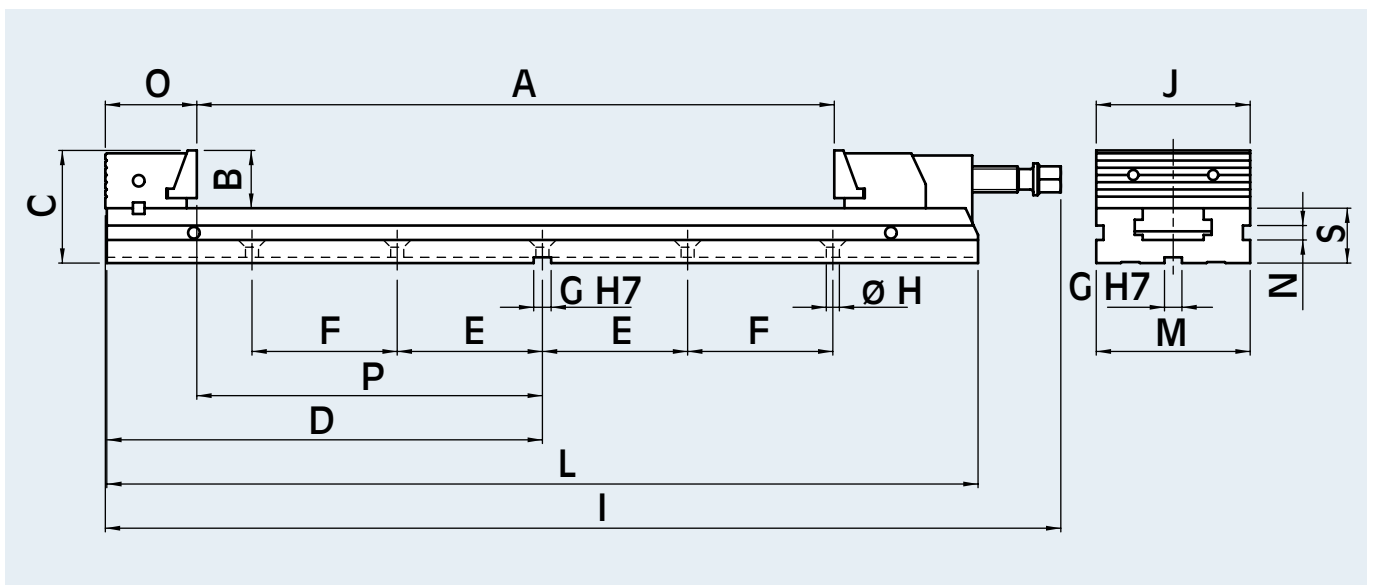
Cod.	type	A	B	C	D	E	F	H	I	J	L	M	N	O	P	S	Weight
		mm	mm	mm	mm	mm	mm	mm	mm	mm	mm	mm	mm	mm	mm	mm	kg
77 58 01 07	TCg 110 x 100	100	40	78	80	150	-	9	338	110	280	110	10	63	18	38	11,5
77 58 01 08	TCg 110 x 150	150	40	78	80	200	-	9	388	110	330	110	10	63	18	38	12,5
77 58 02 07	TCg 150 x 200	200	50	98	114	200	-	12,5	481	150	413	150	13	85	30	48	27
77 58 02 08	TCg 150 x 250	250	50	98	114	200	-	12,5	531	150	463	150	13	85	30	48	29
77 58 03 08	TCg 200 x 300	300	70	138	149	400	200	12,5	697	200	610	200	15,5	123	27	68	78

\* Other fixing and positioning holes dimensions upon request

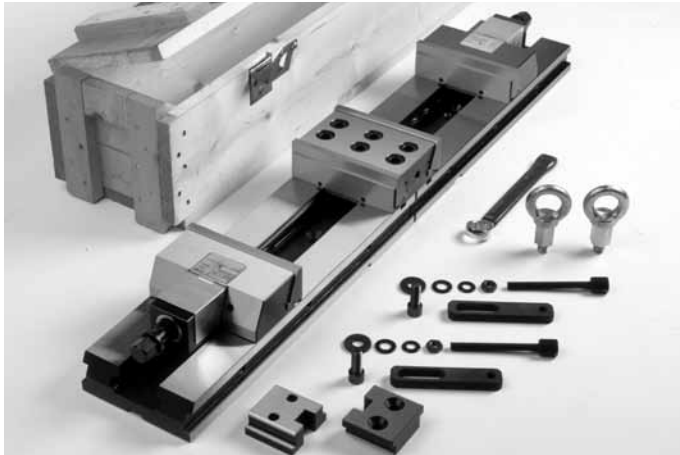
# Tct - XL clamping equipment (for T slots)



Clamping equipment Tct-XL, complete with wrench, work stop, rigid slide-way, floating slide-way (for raw workpiece), pair of positioning keys, pair of CLAK parallels, cover for the protection of the screw, eye bolt for lifting, wooden packing case.

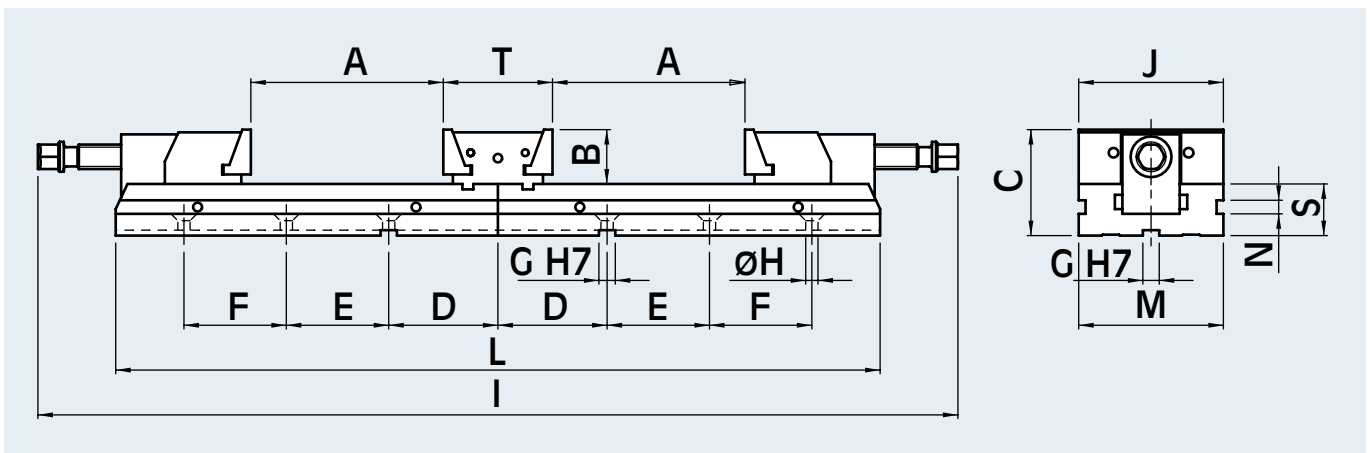


Cod.	type	A mm	B mm	C mm	D mm	E mm	F mm	G mm	H mm	I mm	J mm	L mm	M mm	N mm	O mm	P mm	S mm	Weight kg
77 58 01 04	Tct-XL 110 x 425	425	40	78	300	100	100	12	9	658	110	600	110	10	63	238	38	18,2
77 58 02 04	Tct-XL 150 x 545	545	50	98	379	100	150	18	12,5	825	150	758	150	13	85	295	48	40
77 58 02 05	Tct-XL 150 x 665	665	50	98	439	100	200	18	12,5	946	150	878	150	13	85	355	48	44,7



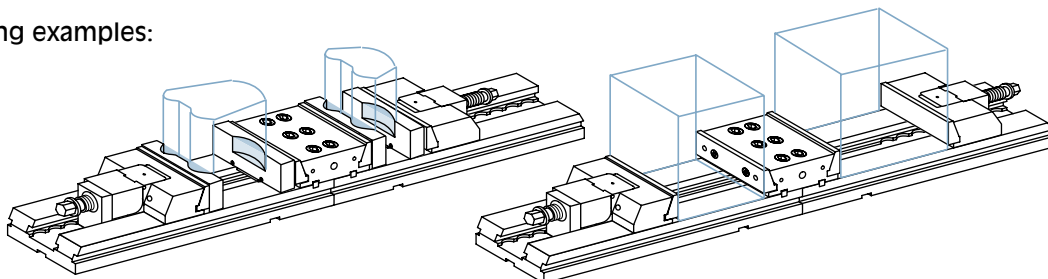
Double clamping equipment DCS-Tct complete with:

- 1 wrench,
- 2 work stops,
- 2 rigid slide-ways,
- 2 floating slide-ways (for raw workpiece),
- 1 pair of positioning keys,
- 2 pair of CLAK parallels,
- 2 covers for the protection of the screw,
- 2 eye bolts for lifting,
- wooden packing case.

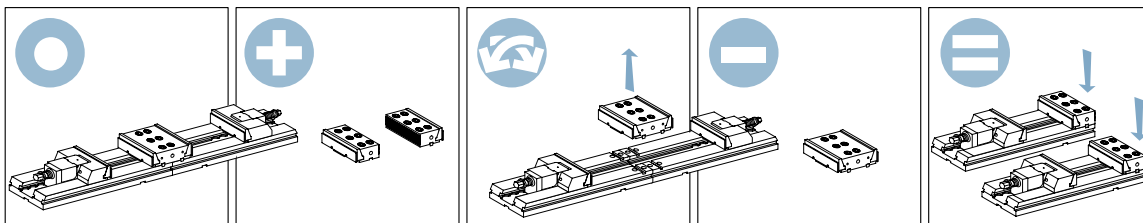


Cod.	for type	A mm	B mm	C mm	D mm	E mm	F mm	G mm	H mm	I mm	J mm	L mm	M mm	N mm	S mm	T mm	Weight kg
77 58 11 01	DCS-Tct 110 x 130	130	40	78	80	150	-	12	9	676	110	560	110	10	38	80	22
77 58 11 02	DCS-Tct 110 x 180	180	40	78	80	100	100	12	9	776	110	660	110	10	38	80	24
77 58 12 01	DCS-Tct 150 x 230	230	50	98	116	200	-	18	12,5	966	150	830	150	13	48	108	52
77 58 12 02	DCS-Tct 150 x 280	280	50	98	116	100	150	18	12,5	1066	150	930	150	13	48	108	56
77 58 13 01	DCS-Tct 200 x 280	280	70	138	150	150	150	18	12,5	1294	200	1122	200	15,5	68	194	136
77 58 13 02	DCS-Tct 200 x 330	330	70	138	150	200	200	18	12,5	1394	200	1222	200	15,5	68	194	144

Working examples:



The modularity of the system combined with some other components offers many additional clamping solutions.



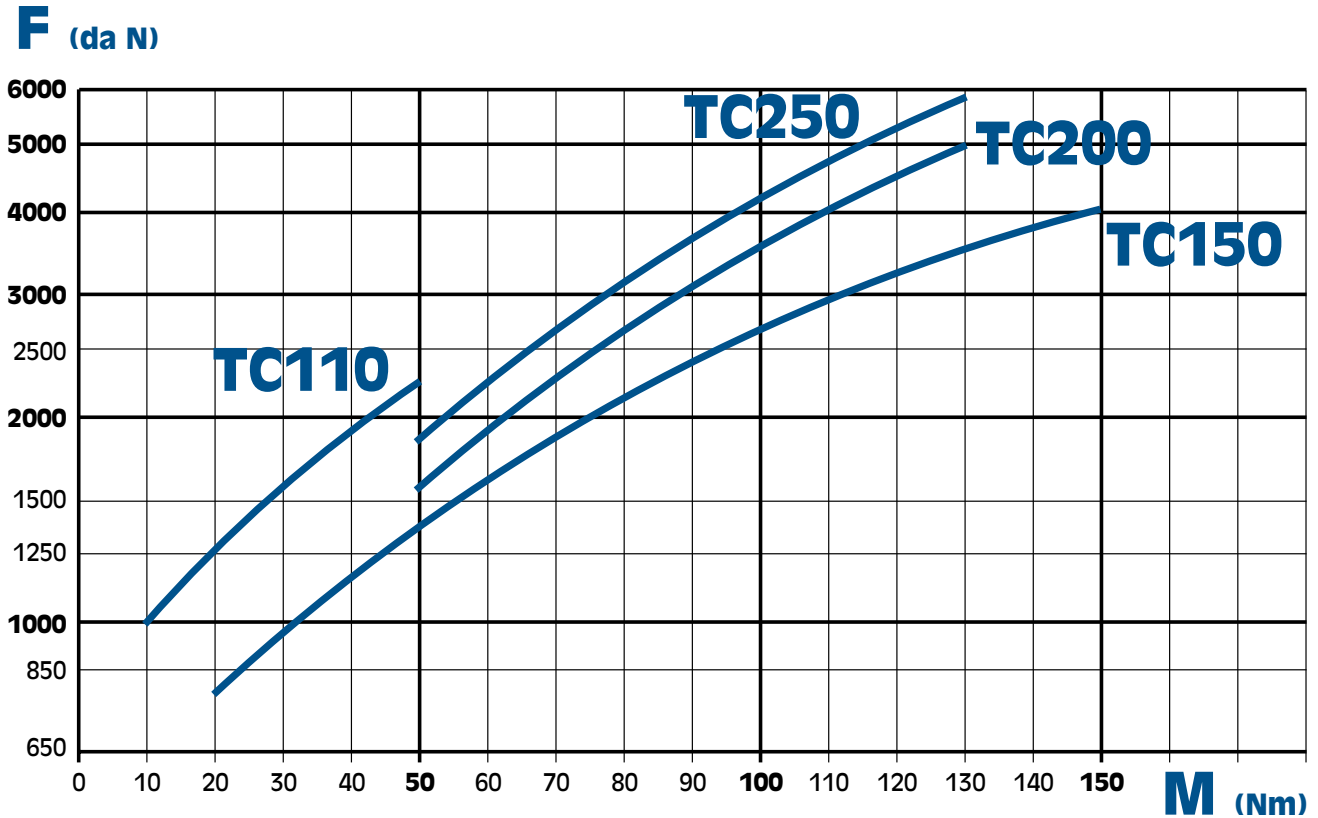


# Operating instruction

## Clamping the workpiece

For controlled clamping and the best repeatability use of a torque wrench is recommended:

- 1 clamp the workpiece with the torque wrench at the necessary clamping force in accordance with the following diagram
- 2 Zero set on the workpiece
- 3 Machine the first workpiece
- 4 Clamp the other workpieces at the same clamping force

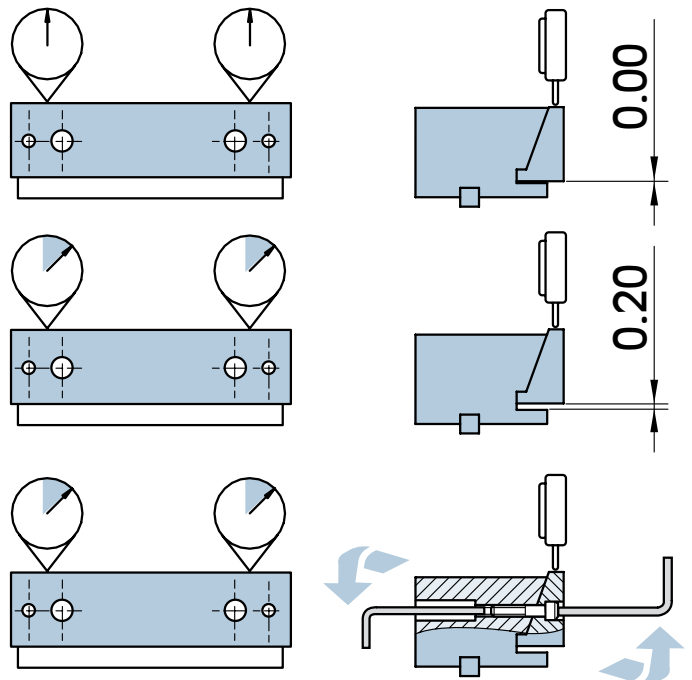


## Jaw alignment

When it is necessary to replace the jaws in order to ensure the best part pull-down, we recommended the following steps:

1) make sure the jaws are properly secured to the support.

2) loosen the adjustment screws until the jaws are backed off about 0.2 mm. (0.008") tighten the lock nuts located on the back side of the support in the opposite direction of the adjustment screws

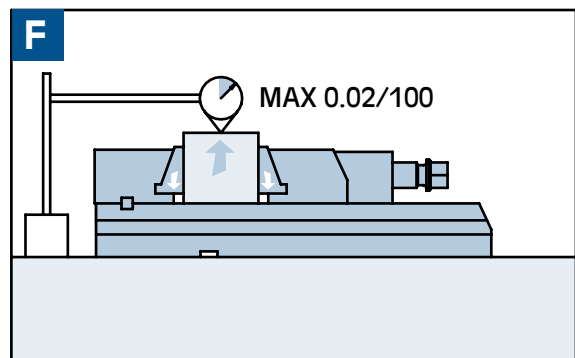
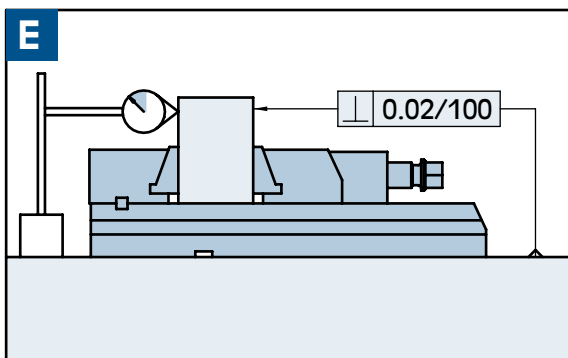
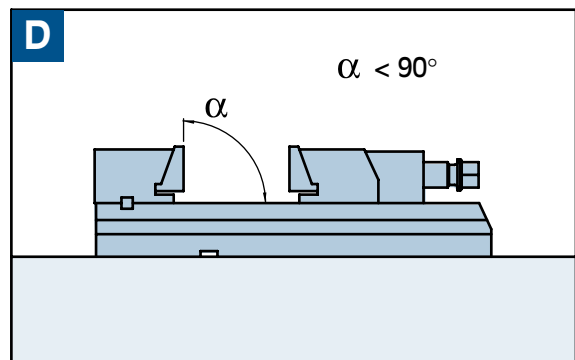
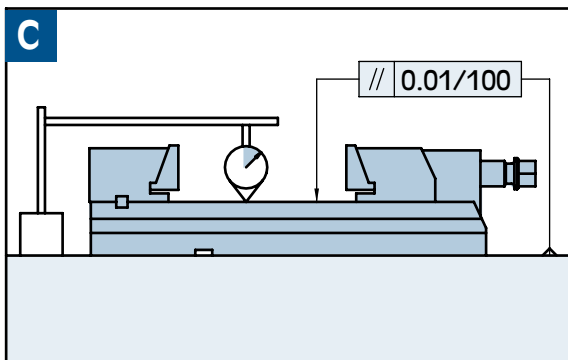
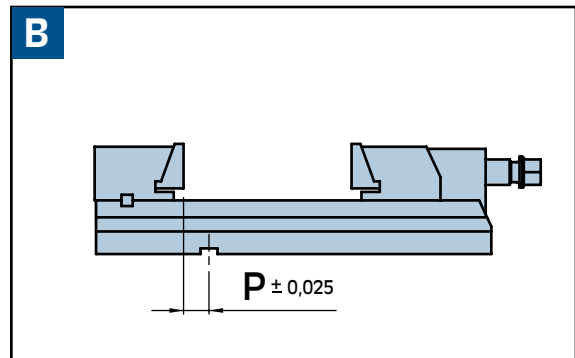
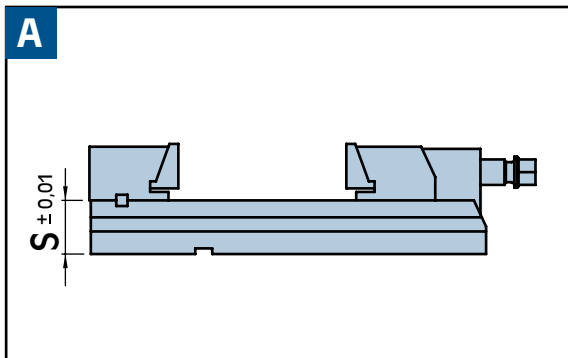
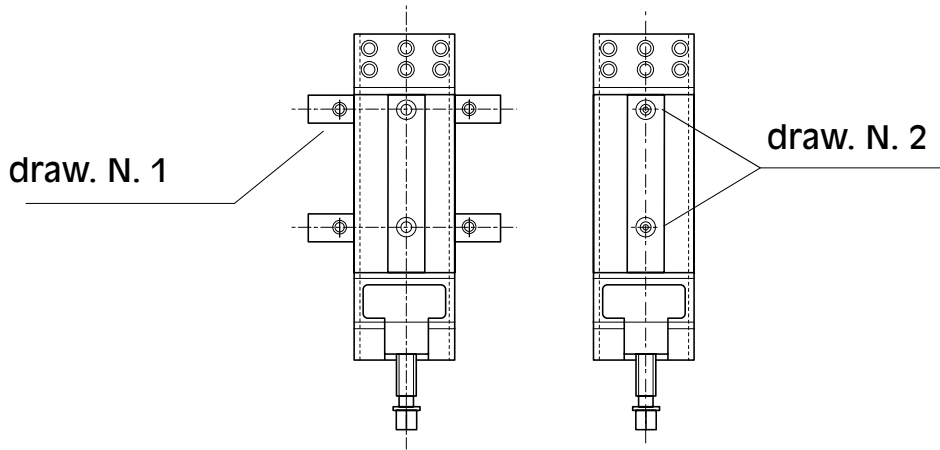


# manufacturing tolerances

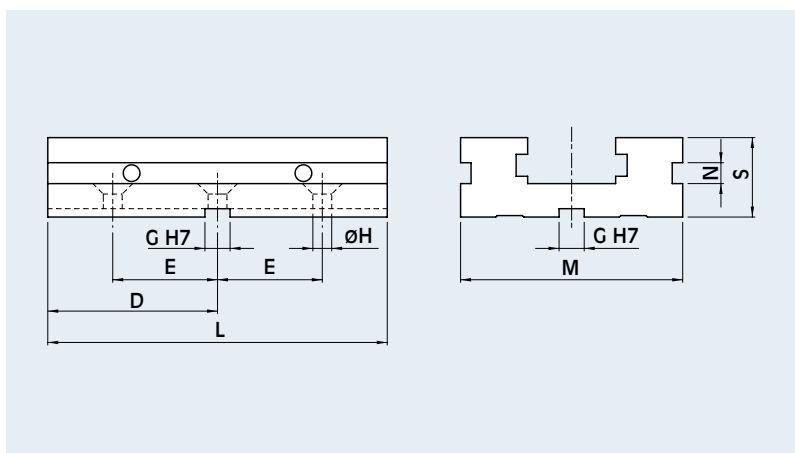
## How to clamp the vises at the table of the machine tool.

In order to obtain a perfect clamping of the workpiece and in order to obtain the tolerances of which point " E " is necessary to clamp the vise on the table of the machine tool by means of the ORIGINAL OML'S CLAMPS ( Ex cod. 58022795 see drawing n. 1 ).

Or by means of the T-nuts ( 58022595 see drawing n. 2 )

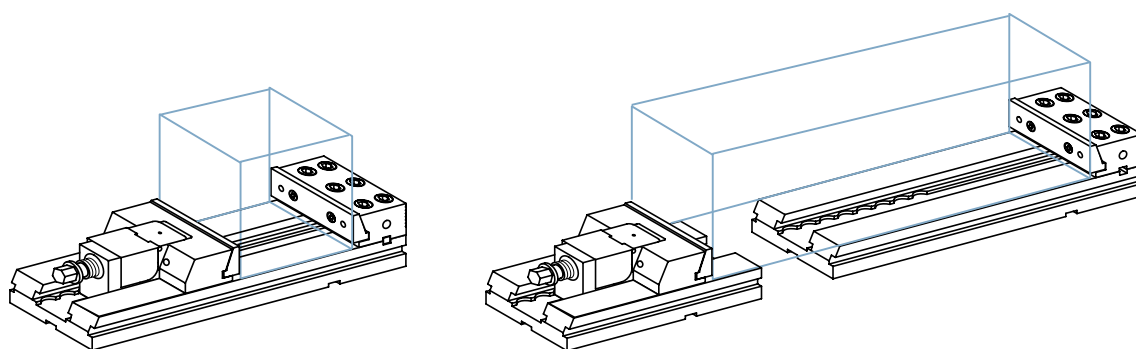


## Tct extension element with pair of positioning keys

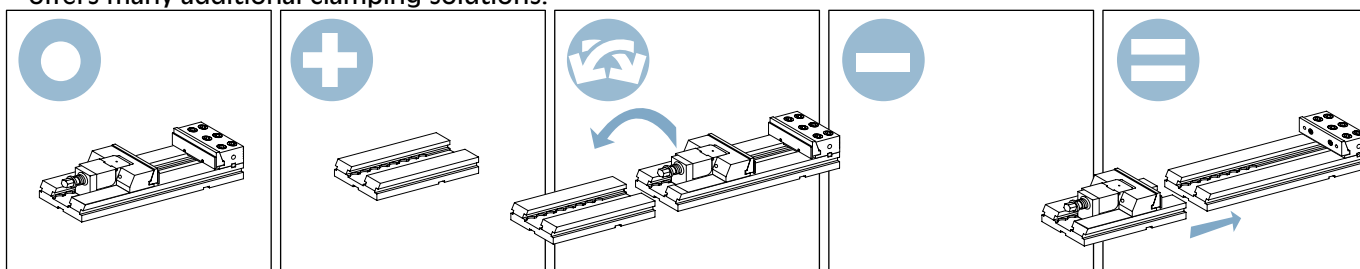


Cod.	for type	D mm	E mm	G mm	H mm	L mm	M mm	N mm	S mm	Weight kg
58 01 17 00	Tct 110 x ...	81	50	12	9	162	110	10	38	3,5
58 02 17 00	Tct 150 x ...	114	75	18	12,5	228	150	13	48	9
58 03 17 00	Tct 200 x ...	150	100	18	12,5	300	200	15,5	68	22

Working examples:

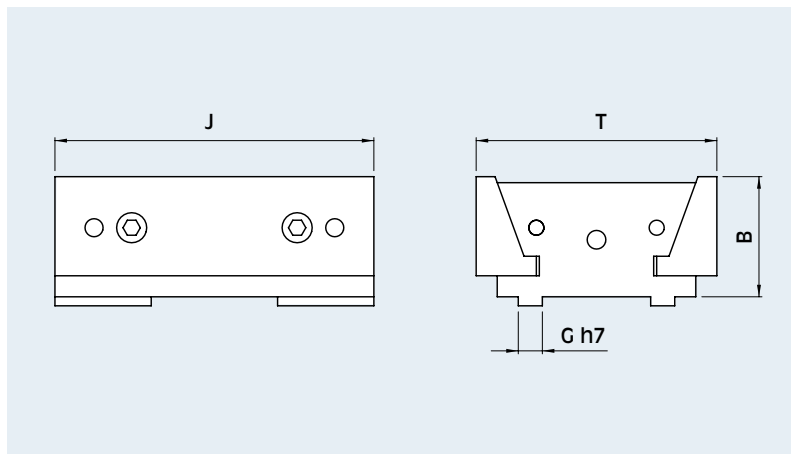


The modularity of the system combined with some other components offers many additional clamping solutions.





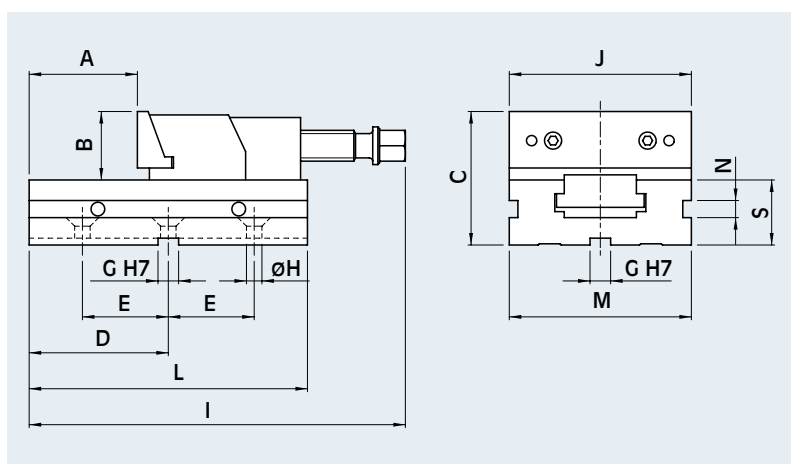
## TC double fixed support with jaw



Cod.	for type	B mm	G mm	J mm	T mm	Weight kg
58 11 72 10	TC 110 x ...	40	8	110	80	2,2
58 12 72 10	TC 150 x ...	50	12	150	108	5
58 13 72 10	TC 200 x ...	70	14	200	194	11,6

## TcT complete extension element

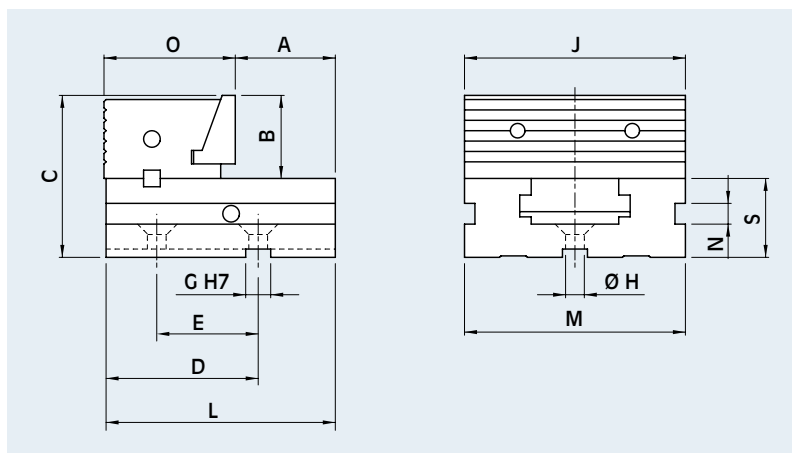
with pair of positioning keys h6 (by choice)



Cod.	for type	A mm	B mm	C mm	D mm	E mm	G mm	H mm	I mm	J mm	L mm	M mm	N mm	S mm	Weight kg
58 01 71 10	TcT 110 x ...	60	40	78	81	50	12	9	220	110	162	110	10	38	6,2
58 02 71 10	TcT 150 x ...	100	50	98	114	75	18	12,5	295	150	228	150	13	48	15,1
58 03 71 10	TcT 200 x ...	120	70	138	150	100	18	12,5	390	200	300	200	15,5	68	39,2

## TC base with fixed support with jaw

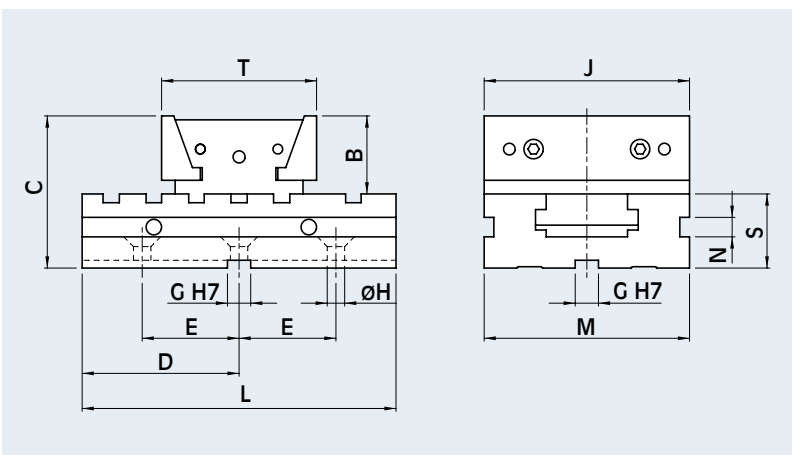
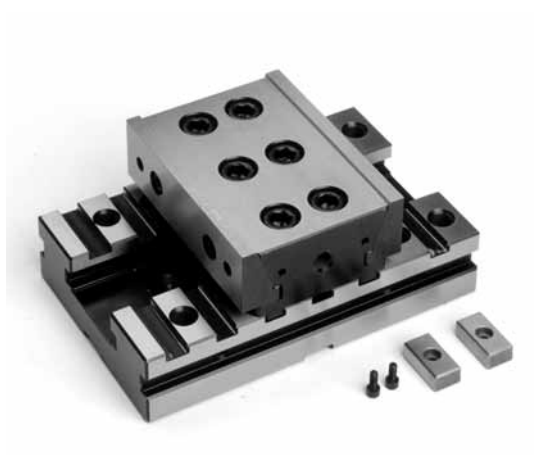
complete with pair of positioning keys h6 (by choice)



Cod.	for type	A mm	B mm	C mm	D mm	E mm	G mm	H mm	J mm	L mm	M mm	N mm	O mm	S mm	Weight kg
58 01 70 10	TcT 110	58	40	78	80	50	12	9	110	120	110	10	63	38	4
58 02 70 10	TcT 150	81	50	98	114	75	18	12,5	150	165	150	13	85	48	9
58 03 70 10	TcT 200	82	70	138	149	100	18	12,5	200	205	200	15,5	123	68	28

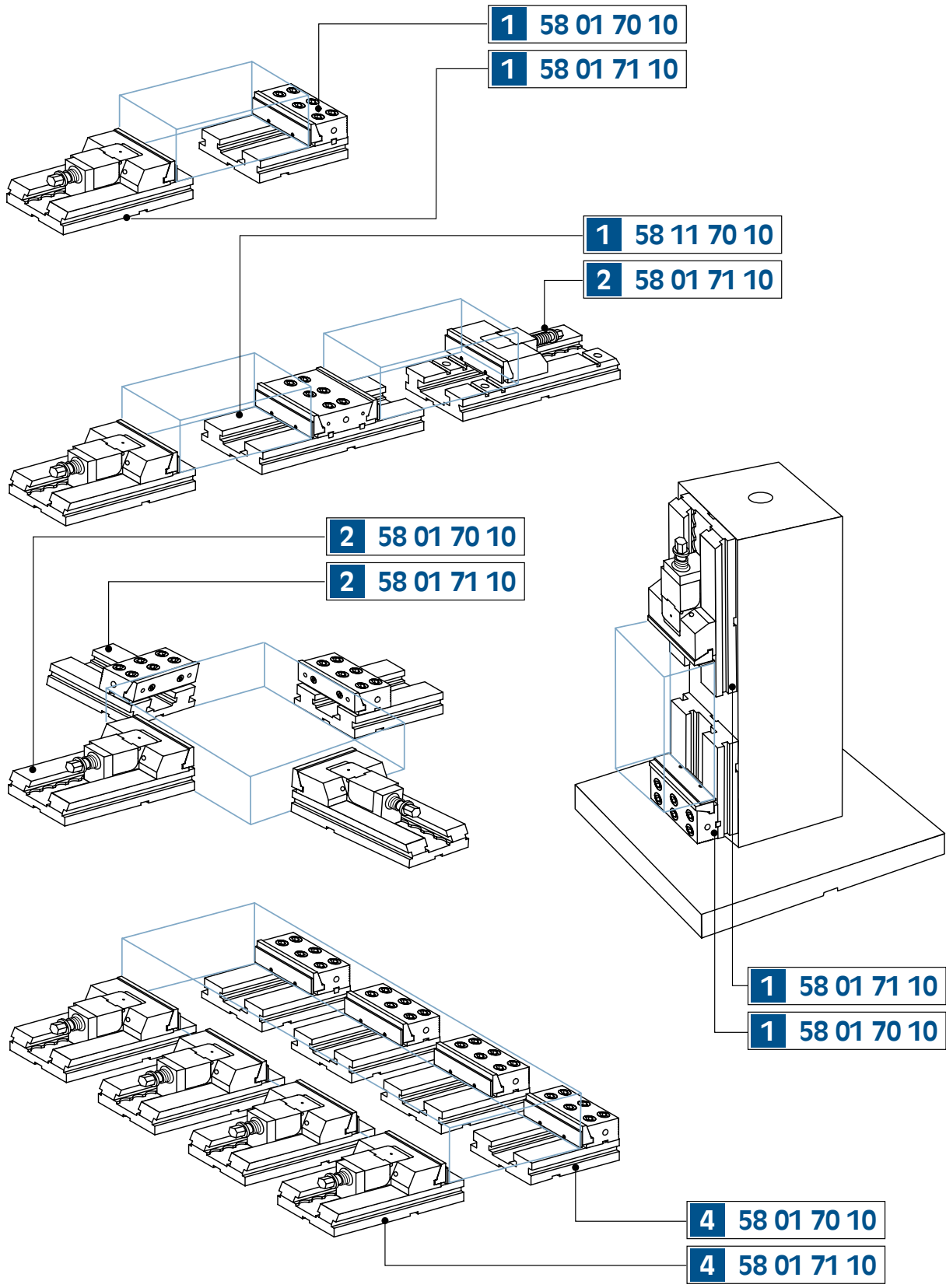
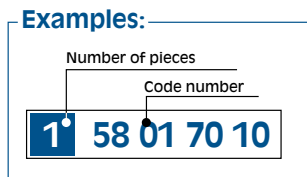
## TC base with double fixed support with jaw

complete with pair of positioning keys h6 (by choice)



Cod.	for type	B mm	C mm	D mm	E mm	G mm	H mm	J mm	L mm	M mm	N mm	S mm	T mm	Weight kg
58 11 70 10	TcT 110 x ...	40	78	81	50	12	9	110	162	110	10	38	80	5,6
58 12 70 10	TcT 150 x ...	50	98	114	75	18	12,5	150	228	150	13	48	108	13,5
58 13 70 10	TcT 200 x ...	70	138	150	100	18	12,5	150	300	200	15,5	68	194	34,7

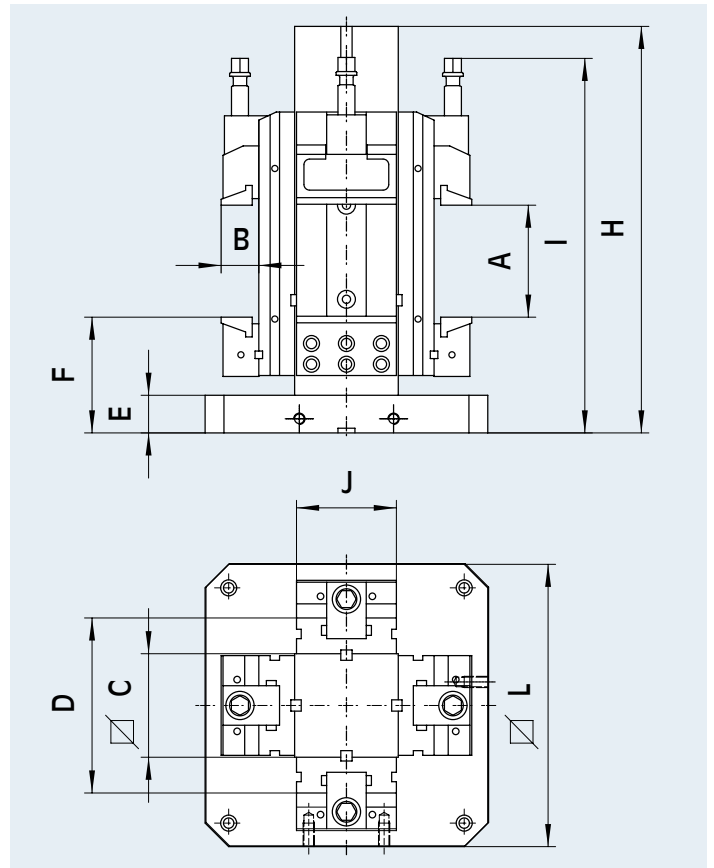
## Working examples





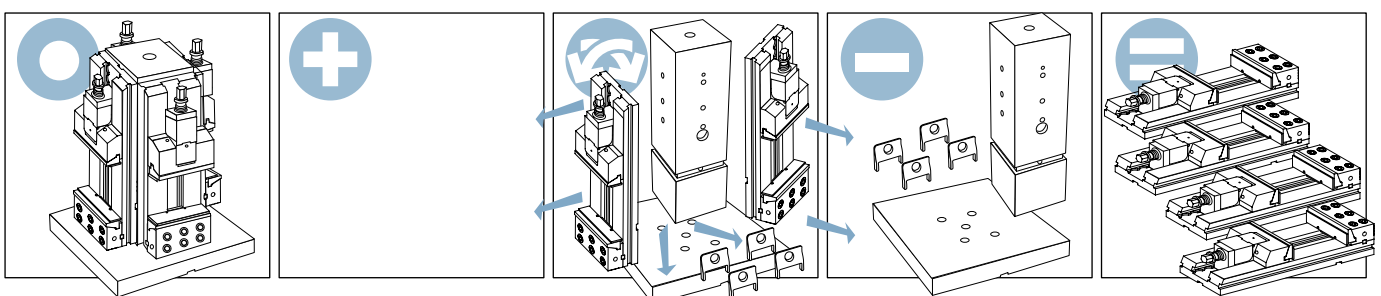
Vertical clamping system complete with:  
 4 clamping equipment Tct  
 1 column  
 1 base for vertical system Tct  
 4 pair of CLAK parallels  
 4 covers for protection of the screws  
 4 rigid slide-ways

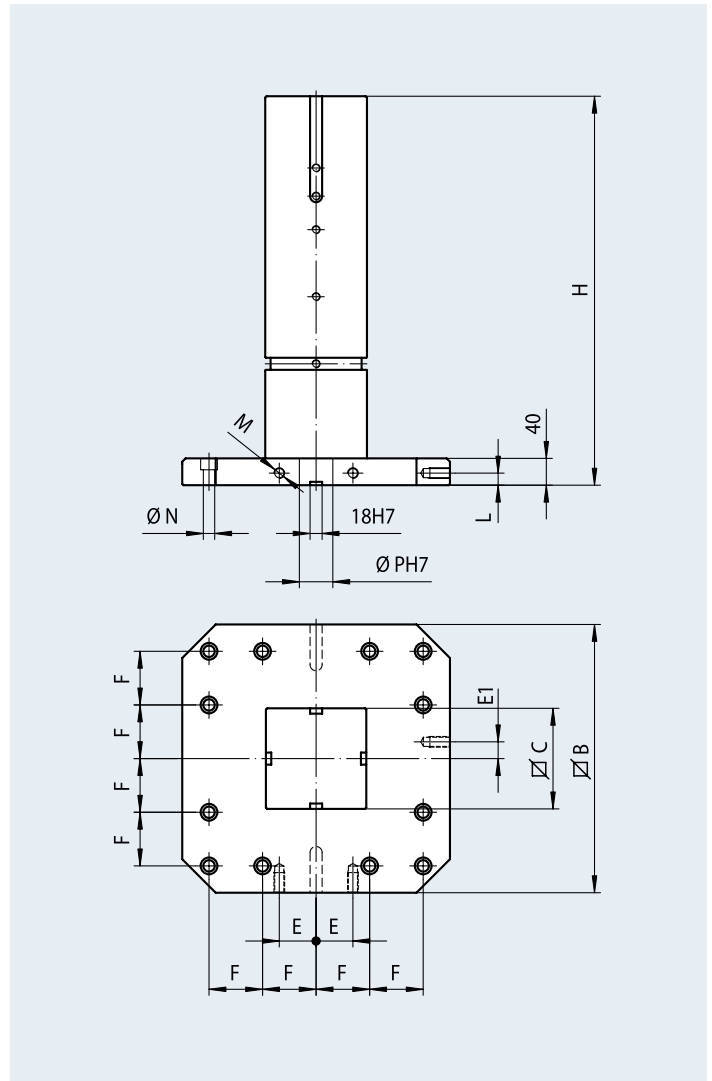
4 floating slide-ways (for raw workpieces)  
 4 work stops  
 4 wrenches  
 eye bolt for lifting,  
 wooden packing case



Code	for type	A mm	B mm	C mm	D mm	E mm	F mm	H mm	I mm	J mm	L mm	Weight kg
77 58 21 11	Tct 110 x 100	100	40	110	186	40	123	391	400	110	300	108
77 58 21 12	Tct 110 x 150	150	40	110	186	40	123	391	450	110	300	112
77 58 22 21	Tct 150 x 200	200	50	150	246	40	151	580	550	150	400	255
77 58 22 22	Tct 150 x 250	250	50	150	246	40	151	580	600	150	400	263
77 58 22 23	Tct 150 x 300	300	50	150	246	40	151	580	655	150	400	273
77 58 22 31	Tct 150 x 200	200	50	150	246	40	151	580	550	150	500	282
77 58 22 32	Tct 150 x 250	250	50	150	246	40	151	580	600	150	500	290
77 58 22 33	Tct 150 x 300	300	50	150	246	40	151	580	655	150	500	300
77 58 23 32	Tct 200 x 300	300	70	200	336	40	173	661	750	200	500	580

The modularity of the system combined with same other components offers many additional clamping solutions.





Cod.	type	B mm	C mm	E mm	E1 mm	F mm	H mm	L mm	M mm	N mm	P mm	Weight kg
58 21 80 10	TC 110	300	110	40	0	125	391	15	12	13	25	57
58 22 80 20	TC 150	400	150	55	25	80	580	18	16	17	50	142
58 22 80 30	TC 150	500	150	75	25	100	580	18	16	17	50	169
58 23 80 30	TC 200	500	200	75	25	100	661	18	16	17	50	266

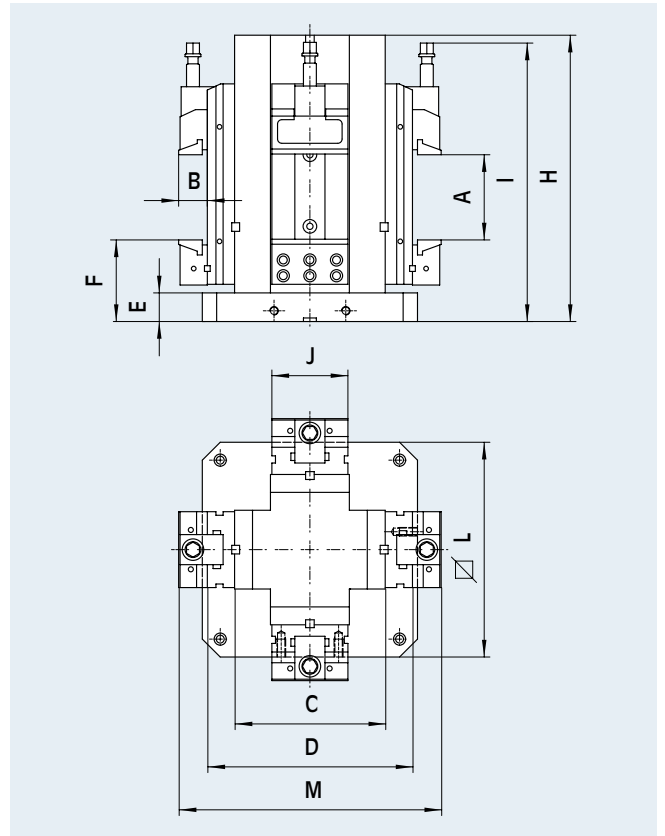
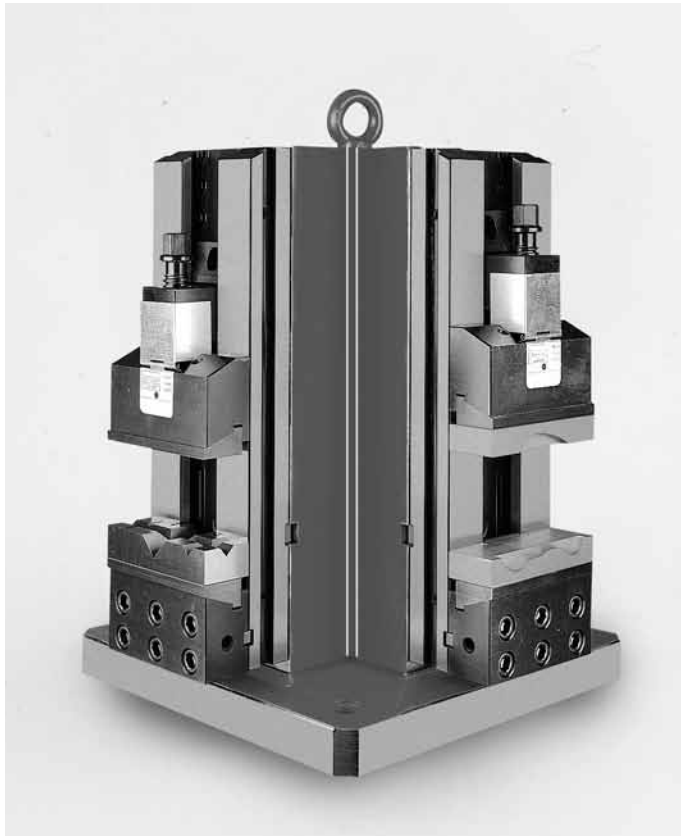
Insert for vertical use



Cod.	for type
58 21 33 00	TC 110 x ...
58 22 33 00	TC 150 x ...
58 23 33 00	TC 200 x ...

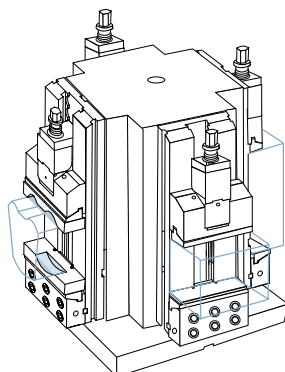
Vertical clamping system complete with:  
 4 clamping equipment Tct  
 1 cross cube  
 4 pair of CLAK parallels  
 4 covers for protection of the screws  
 4 rigid slide-ways

4 floating slide-ways (for raw workpieces)  
 4 work stops  
 4 wrenches  
 eye bolt for lifting  
 wooden packing case



Code	for type	A mm	B mm	C mm	D mm	E mm	F mm	H mm	I mm	J mm	L mm	M mm	Weight kg
77 58 51 11	Tct 110 x 100	100	40	210	286	40	114	382	390	110	300	366	121
77 58 51 12	Tct 110 x 150	150	40	210	286	40	114	382	440	110	300	366	125
77 58 52 21	Tct 150 x 200	200	50	300	396	40	145	580	545	150	400	496	320
77 58 52 22	Tct 150 x 250	250	50	300	396	40	145	580	595	150	400	496	328
77 58 52 23	Tct 150 x 300	300	50	300	396	40	145	580	652	150	400	496	338
77 58 52 31	Tct 150 x 200	200	50	300	396	40	145	580	545	150	500	496	348
77 58 52 32	Tct 150 x 250	250	50	300	396	40	145	580	595	150	500	496	356
77 58 52 33	Tct 150 x 300	300	50	300	396	40	145	580	652	150	500	496	366
77 58 53 42	Tct 200 x 300	300	70	350	486	45	182	670	760	200	630	626	675

Working examples:

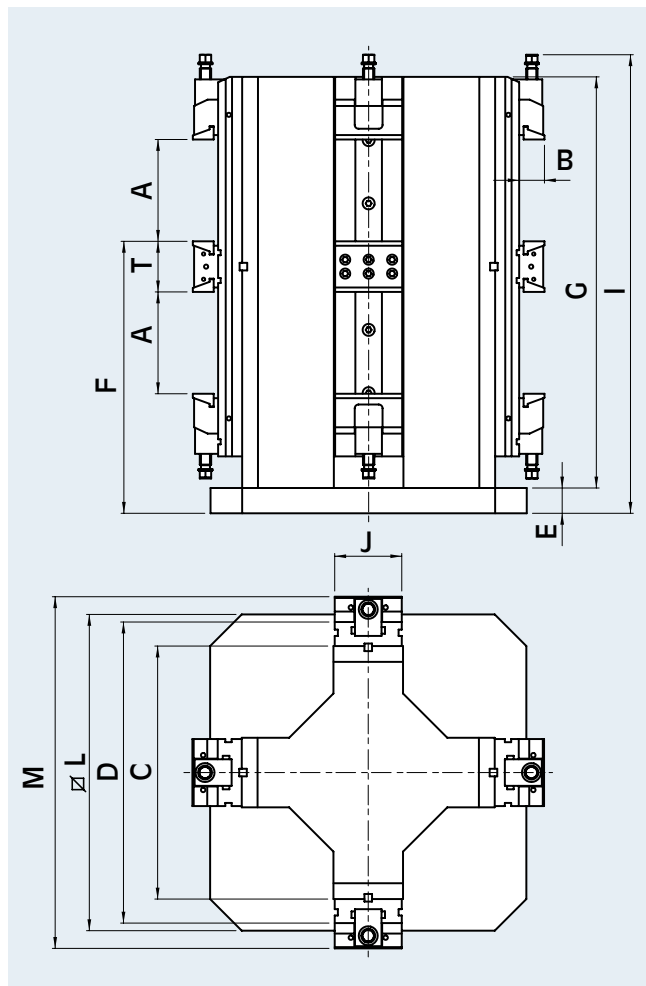
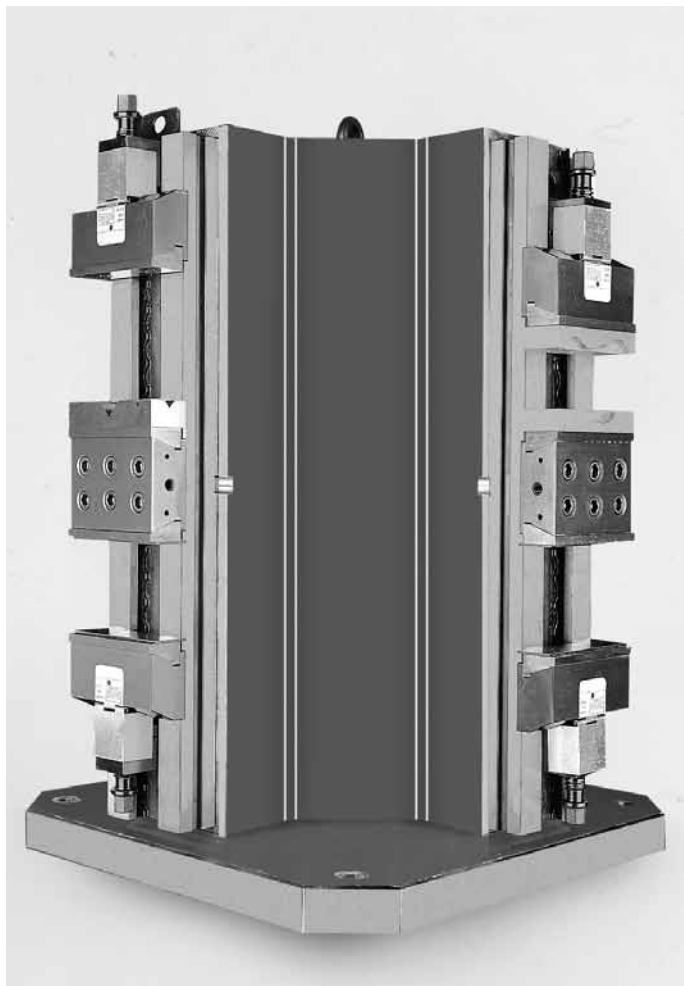


# modular vertical double clamping systems

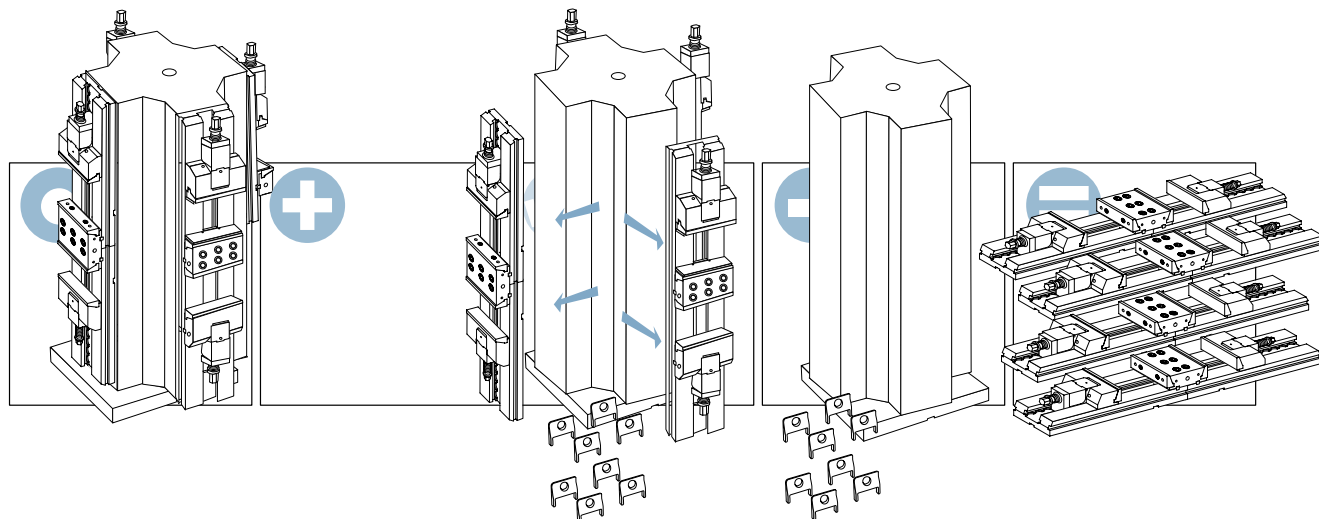
# DVCS-Tct

Vertical clamping system complete with:  
 4 double clamping equipment TCT  
 1 cross cube XL  
 8 pair of CLAK parallels  
 8 covers for protection of the screws  
 8 rigid slide-ways

8 floating slide-ways (for raw workpieces)  
 8 work stops  
 8 wrenches  
 8 inserts for vertical use  
 eye bolt for lifting  
 wooden packing case

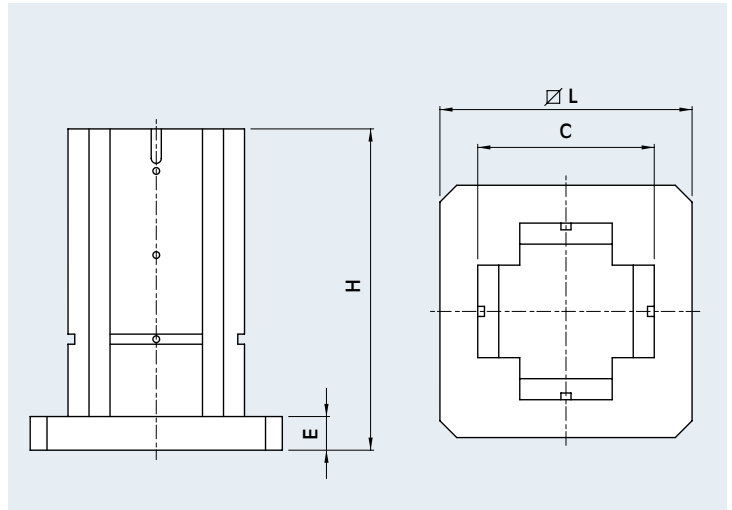


Cod.	for type	A mm	B mm	C mm	D mm	E mm	F mm	G mm	I mm	J mm	L mm	M mm	T mm	Weight kg
77 58 61 01	DVCS-Tct 110 x 155	155	40	400	476	40	430	650	725	110	500	556	80	352
77 58 62 01	DVCS-Tct 150 x 195	195	50	550	646	45	515	795	890	150	630	746	108	647





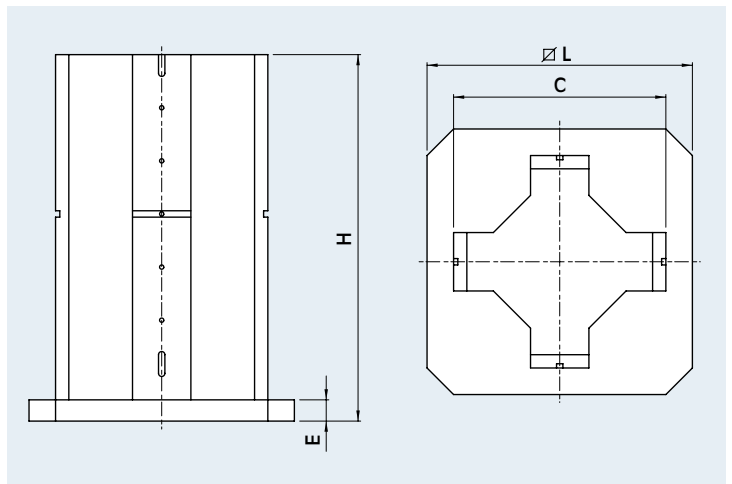
### Cross cube for VCS-Tct



Cod.	for type	C mm	E mm	H mm	L mm	Weight kg
58 51 80 10	Tct 110	210	40	382	300	75
58 52 80 20	Tct 150	300	40	580	400	212
58 52 80 30	Tct 150	300	40	580	500	240
58 53 80 30	Tct 200	350	40	670	500	305
58 53 80 40	Tct 200	350	45	670	630	363



### Cross cube for DVCS-Tct



Cod.	for type	C mm	E mm	H mm	L mm	Weight kg
58 61 80 00	DVCS-Tct 110 x ...	400	40	690	500	266
58 62 80 00	DVCS-Tct 150 x ...	550	45	840	630	458



### Insert for vertical use

cod.	for type
58 21 33 00	VCS-Tct 110 x ...
58 22 33 00	VCS-Tct 150 x ...
58 23 33 00	VCS-Tct 200 x ...





## Pair of grooved jaws

Cod.	type
58 01 44 09	TC 110 x ...
58 02 44 09	TC 150 x ...
58 03 44 09	TC 200 x ...



## Insert for vertical use

(MVS,VCS,DVCS)

Cod.	for type
58 21 33 00	TC 110 x ...
58 22 33 00	TC 150 x ...
58 23 33 00	TC 200 x ...



## Torque wrench

cod.	type
51 50 10 01	TC 110 x ...
51 50 10 02	TC 150 x ...
51 50 10 03	TC 200 x ...



### Air/oil block

complete with cylinder and tang

Cod.	for type
58 01 75 00	TC 110 x ...
58 02 75 00	TC 150 x ...
58 03 75 00	TC 200 x ...



### Air/oil foot pump

with joining pipe cm 180 (71") and complete block for air/oil application.

Cod.	for type
77 58 01 51	TC 110 x ...
77 58 02 51	TC 150 x ...
77 58 03 51	TC 200 x ...



### Air/oil foot pump

Cod.	for type
71 66 03 05	TC 110 x ...
71 66 03 05	TC 150 x ...
71 66 03 05	TC 200 x ...



### Air/oil manual pump

Cod.	for type
71 66 03 15	TC 110 x ...
71 66 03 15	TC 150 x ...
71 66 03 15	TC 200 x ...



### Pressure-gauge

Codice-Nr.	Modello
51 43 12 51	TC 110 x ...
51 43 12 51	TC 150 x ...
51 43 12 51	TC 200 x ...



### Joining pipe M. 1,80 (71")

Cod.	type
71 70 87 13	TC 110 x ...
71 70 87 13	TC 150 x ...
71 70 87 13	TC 200 x ...



### Joining pipe M. 3 (118")

cod.	for type
71 70 87 14	TC - 110
71 70 87 14	TC - 150
71 70 87 14	TC - 200



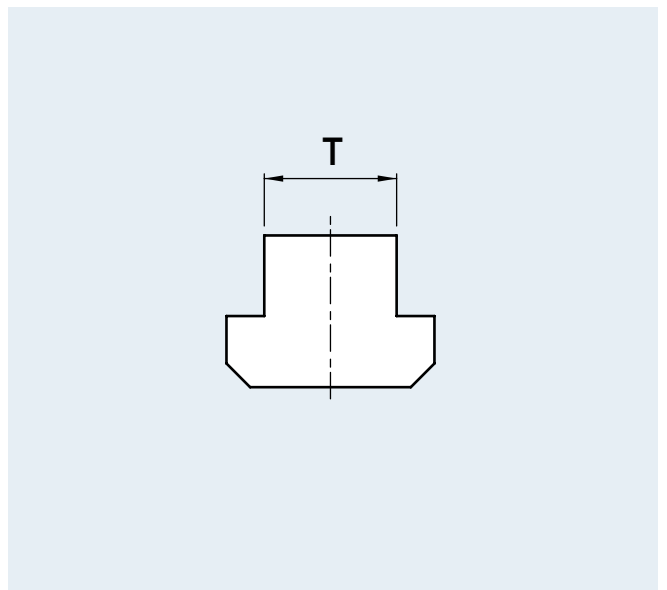
### Joining pipe M. 6 (236")

Cod.	type
71 70 87 15	TC 110 x ...
71 70 87 15	TC 150 x ...
71 70 87 15	TC 200 x ...



### Pair of clamps

complete with screws and T nuts

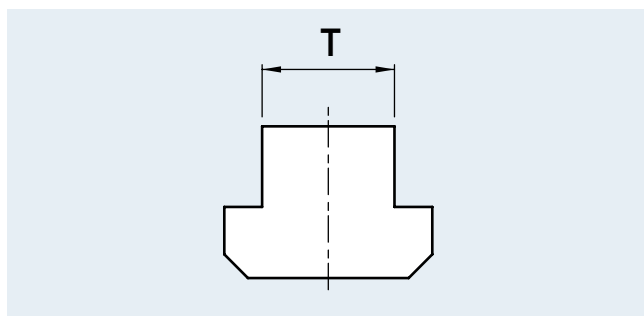


Code for T-slots						for type
mm 12	mm 14	mm 16	mm 18	mm 20	mm 22	
58 01 27 92	58 01 27 93	58 01 27 94	58 01 27 95	58 01 27 96	58 01 27 97	TCt 110 x ...
58 02 27 92	58 02 27 93	58 02 27 94	58 02 27 95	58 02 27 96	58 02 27 97	TCt 150 x ...
58 03 27 92	58 03 27 93	58 03 27 94	58 03 27 95	58 03 27 96	58 03 27 97	TCt 200 x ...



### Pair of T nuts

Complete with screws at 45°



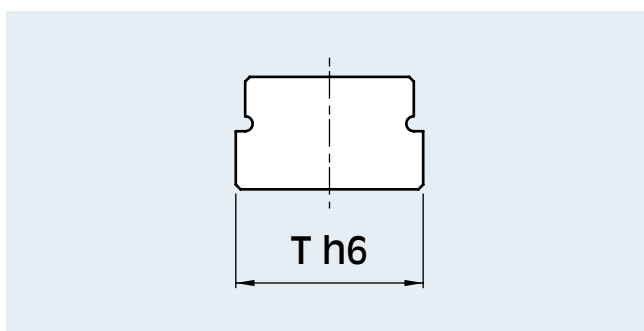
Code for T-slots					
mm 12	mm 14	mm 16	mm 18	mm 20	mm 22
58 01 25 92	58 01 25 93	58 01 25 94	58 01 25 95	58 01 25 96	58 01 25 97
58 02 25 92	58 02 25 93	58 02 25 94	58 02 25 95	58 02 25 96	58 02 25 97
58 03 25 92	58 03 25 93	58 03 25 94	58 03 25 95	58 03 25 96	58 03 25 97

for type  
 TCt 110 x ...  
 TCt 150 x ...  
 TCt 200 x ...



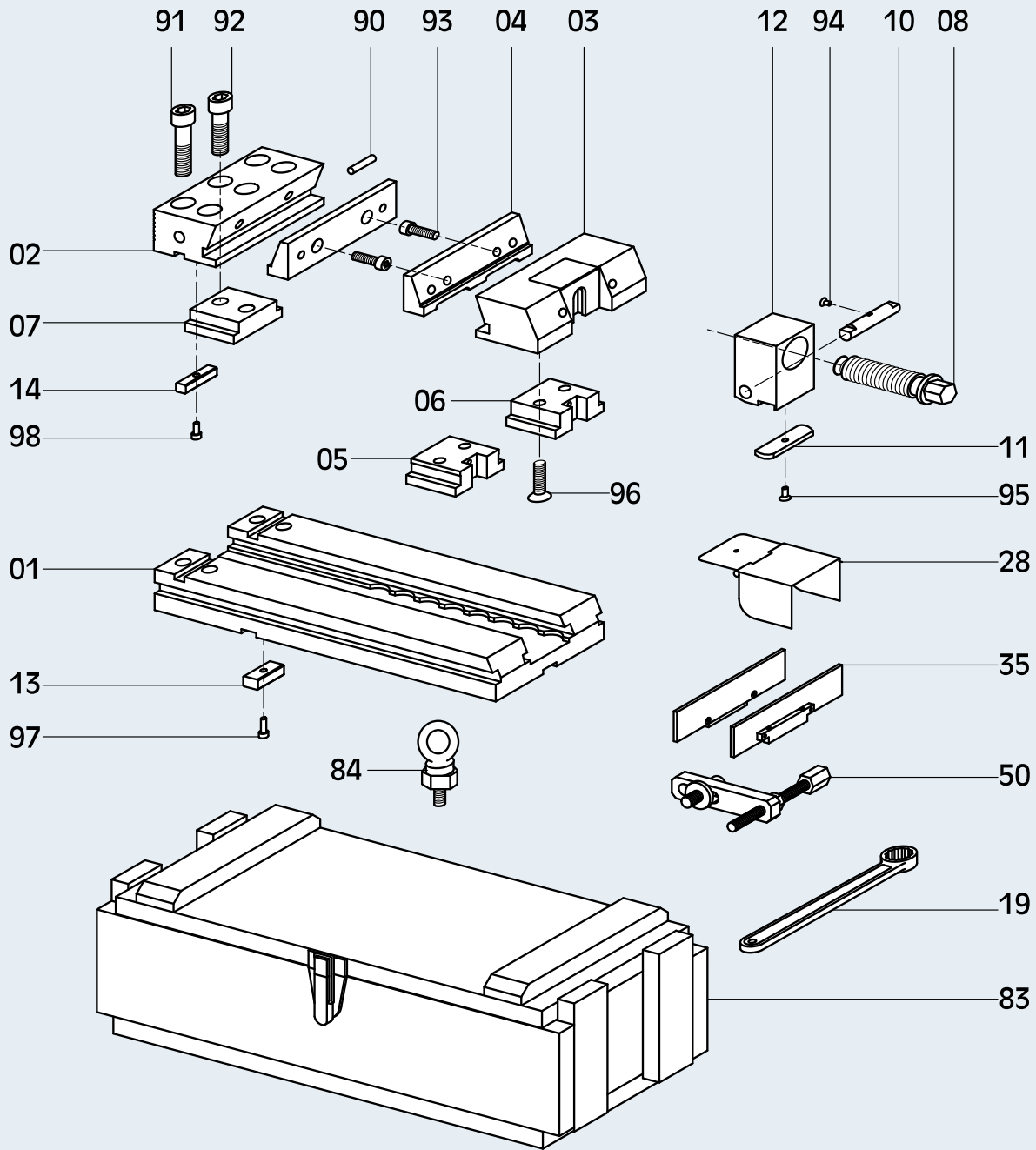
### Pair of positioning keys

with special dimensions



Code for T-slots					
mm 12	mm 14	mm 16	mm 18	mm 20	mm 22
-	58 01 13 93	58 01 13 94	58 01 13 95	58 01 13 96	58 01 13 97
58 02 13 92	58 02 13 93	58 02 13 94	-	58 02 13 96	58 02 13 97
58 02 13 92	58 02 13 93	58 02 13 94	-	58 02 13 96	58 02 13 97

for type  
 TCt 110 x ...  
 TCt 150 x ...  
 TCt 200 x ...



## Description

01.....	Base	12.....	Block for clamping screw	90.....	Rubber pad
02.....	Fixed support	13.....	Positioning key	91.....	Screw TCEI
03.....	Moveable support	14.....	Key for support	92.....	Screw TCEI
04.....	Jaw	19.....	Wrench	93.....	Screw TCEI
05.....	Floating slide-way	28.....	Cover for protection of the screw	94.....	Screw TPS
06.....	Rigid slide-way	35.....	Pair of CLAK parallels	95.....	Screw TPS
07.....	Fixed slide-way	50.....	Work stop	96.....	Screw TPS
08.....	Clamping screws	83.....	Wooden packing case	97.....	Screw TCEI
10.....	Contrast pin	84.....	Eye bolt	98.....	Screw TCEI
11.....	Positioning plate				





### Pair of smooth jaws

Cod.	for type	
58 01 04 09	TC 110 x ...	
58 02 04 09	TC 150 x ...	
58 03 04 09	TC 200 x ...	



### Fixed support with jaw

Cod.	for type	
58 01 72 10	TC 110 x ...	
58 02 72 10	TC 150 x ...	
58 03 72 10	TC 200 x ...	



### Moveable support with jaw

Cod.	for type	
58 01 73 10	TC 110 x ...	
58 02 73 10	TC 150 x ...	
58 03 73 10	TC 200 x ...	



### Floating slide-way

Cod.	for type	
58 01 05 00	TC 110 x ...	
58 02 05 00	TC 150 x ...	
58 03 05 00	TC 200 x ...	



### Rigid slide-way

Cod.	for type	
58 01 06 00	TC 110 x ...	
58 02 06 00	TC 150 x ...	
58 03 06 00	TC 200 x ...	



### Fixed slide-way

Cod.	for type	
58 01 07 00	TC 110 x ...	
58 02 07 00	TC 150 x ...	



## Pair of keys for fixed support

Cod.	for type
58 01 14 09	TC 110 x ...
58 02 14 09	TC 150 x ...
58 03 14 09	TC 200 x ...



## Wrench

Cod.	for type
58 01 19 00	TC 110 x ...
58 02 19 00	TC 150 x ...
58 03 19 00	TC 200 x ...



## Complete clamping block (new type)

Cod.	for type
58 01 74 11	TC 110 x ...
58 02 74 11	TC 150 x ...
58 03 74 11	TC 200 x ...



## Block for clamping screw (new type)

Cod.	for type
58 01 12 12	TC 110 x ...
58 02 12 12	TC 150 x ...
58 03 12 12	TC 200 x ...



### Clamping screw (old type)

Cod.	for type	
58 01 08 10	TC 110 x ...	
58 02 08 10	TC 150 x ...	
58 03 08 10	TC 200 x ...	



### Clamping screw (new type)

Cod.	for type	
58 01 08 12	TC 110 x ...	
58 02 08 12	TC 150 x ...	
58 03 08 12	TC 200 x ...	



### Bronze bushing (old type)

Cod.	for type	
58 01 09 00	TC 110 x ...	
58 02 09 00	TC 150 x ...	
58 03 09 00	TC 200 x ...	



### Contrast pin (old type)

Cod.	for type	
58 01 10 00	TC 110 x ...	
58 02 10 00	TC 150 x ...	
58 03 10 00	TC 200 x ...	



### Contrast pin (new type)

Cod.	for type	
58 01 10 01	TC 110 x ...	
58 02 10 01	TC 150 x ...	
58 03 10 01	TC 200 x ...	



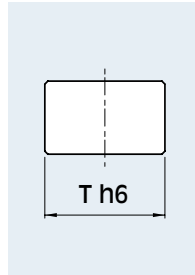
### Positioning plate (old type)

Cod.	for type	
58 01 11 10	TC 110 x ...	
58 02 11 10	TC 150 x ...	
58 03 11 10	TC 200 x ...	



## Positioning plate (new type)

Cod.	for type	
58 01 11 11	TC 110 x ...	
58 02 11 11	TC 150 x ...	
58 03 11 11	TC 200 x ...	



## Pair of standard positioning keys

Cod.	for type	T h6 mm
58 01 13 92	TCt - 110	12
58 02 13 95	TCt - 150	18
58 02 13 95	TCt - 200	18



## Work stop

Cod.	for type	
58 01 50 00	TC 110 x ...	
58 02 50 00	TC 150 x ...	
58 03 50 00	TC 200 x ...	



## Cover for protection of the screw

Cod.	for type	
58 01 28 10	TC 110 x ...	
58 02 28 10	TC 150 x ...	
58 03 28 10	TC 200 x ...	



## Block for cylinder

Cod.	for type	
58 01 12 20	TC 110 x ...	
58 02 12 20	TC 150 x ...	
58 03 12 20	TC 200 x ...	



### Tang for cylinder

Cod.	for type	
58 01 16 00	TC 110 x ...	
58 02 16 00	TC 150 x ...	
58 03 16 00	TC 200 x ...	



### Can of oil

Cod.	for type	
10 72 99 40	TC 110 x ...	
10 72 99 40	TC 150 x ...	
10 72 99 40	TC 200 x ...	